


Spray Guns



SATAjet® 5000 B RP®/HVLP



SATAjet 5000 B RP (DIGITAL)

Technical Data  www.sata.com/SATAjet5000B	Inlet pressure
	Field of application: 0.5 bar - 2.4 bar Compliant: max. 2.0 bar
	Air consumption at 2.0 bar: 290 NI/min
	Spray distance
	Field of application: 10 cm - 21 cm Recommended: 17 cm - 21 cm



Nozzle	1,0	1,1	1,2	1,2 W	1,3	1,4	1,6	1,8	2,0	2,5
--------	-----	-----	-----	-------	-----	-----	-----	-----	-----	-----

Standard with 0.6 l QCC reusable plastic cup, **without** swivel joint

Art. No.	-	-	209627	209635	209643	209650	209668	-	-	-
----------	---	---	--------	--------	--------	--------	--------	---	---	---

Standard with 0.6 l QCC reusable plastic cup, **with** swivel joint

Art. No.	209676	209684	209692	209700	209718	209726	209734	209742	209759	209767
----------	--------	--------	--------	--------	--------	--------	--------	--------	--------	--------

Standard with RPS disposable cup 0.3 l / 0.6 l / 0.9 l (each 1x) **with** swivel joint

Art. No.	-	-	209775	209783	209791	209809	-	-	-	-
----------	---	---	--------	--------	--------	--------	---	---	---	---

Nozzle	1,0	1,1	1,2	1,2 W	1,3	1,4	1,6	1,8	2,0	2,5
--------	-----	-----	-----	-------	-----	-----	-----	-----	-----	-----

DIGITAL with 0.6 l QCC PVC reusable cup **with** swivel joint

Art. No.	-	-	209817	209825	209833	209841	-	-	-	-
----------	---	---	--------	--------	--------	--------	---	---	---	---


DIGITAL with RPS disposable cup 0.3 l / 0.6 l / 0.9 l (each 1x) **with** swivel joint

Art. No.	-	-	209924	209932	209940	209957	-	-	-	-
----------	---	---	--------	--------	--------	--------	---	---	---	---

Nozzle set

Art. No.	210245	210252	210260	210278	210286	210294	210302	210310	210328	210336
----------	--------	--------	--------	--------	--------	--------	--------	--------	--------	--------

SATAjet 5000 B HVLP (DIGITAL)

Technical Data  www.sata.com/SATAjet5000B	Inlet pressure
	Field of application: 0.5 bar - 2.4 bar HVLP: max. 2.0 bar
	Air consumption at 2.0 bar: 430 NI/min
	Spray distance
	Field of application: 10 cm - 21 cm Recommended: 10 cm - 15 cm



Nozzle	1,0	1,2	WSB	1,3	1,4	1,5	1,7	1,9	2,2
--------	-----	-----	-----	-----	-----	-----	-----	-----	-----

Standard with 0.6 l QCC reusable plastic cup, **without** swivel joint

Art. No.	-	210369	210377	210385	210401	210419	-	-	-
----------	---	--------	--------	--------	--------	--------	---	---	---

Standard with 0.6 l QCC reusable plastic cup, **with** swivel joint

Art. No.	210427	210435	210443	210450	210484	210500	210518	210534	210542
----------	--------	--------	--------	--------	--------	--------	--------	--------	--------

Standard with RPS disposable cup 0.3 l / 0.6 l / 0.9 l (each 1x) **with** swivel joint

Art. No.	-	210559	210567	210575	210591	210609	-	-	-
----------	---	--------	--------	--------	--------	--------	---	---	---

Nozzle	1,0	1,2	WSB	1,3	1,4	1,5	1,7	1,9	2,2
--------	-----	-----	-----	-----	-----	-----	-----	-----	-----

DIGITAL with 0.6 l QCC PVC reusable cup **with** swivel joint

Art. No.	-	210617	210625	210633	210658	210666	-	-	-
----------	---	--------	--------	--------	--------	--------	---	---	---

DIGITAL with RPS disposable cup 0.3 l / 0.6 l / 0.9 l (each 1x) **with** swivel joint

Art. No.	-	210674	210682	210690	210716	210724	-	-	-
----------	---	--------	--------	--------	--------	--------	---	---	---

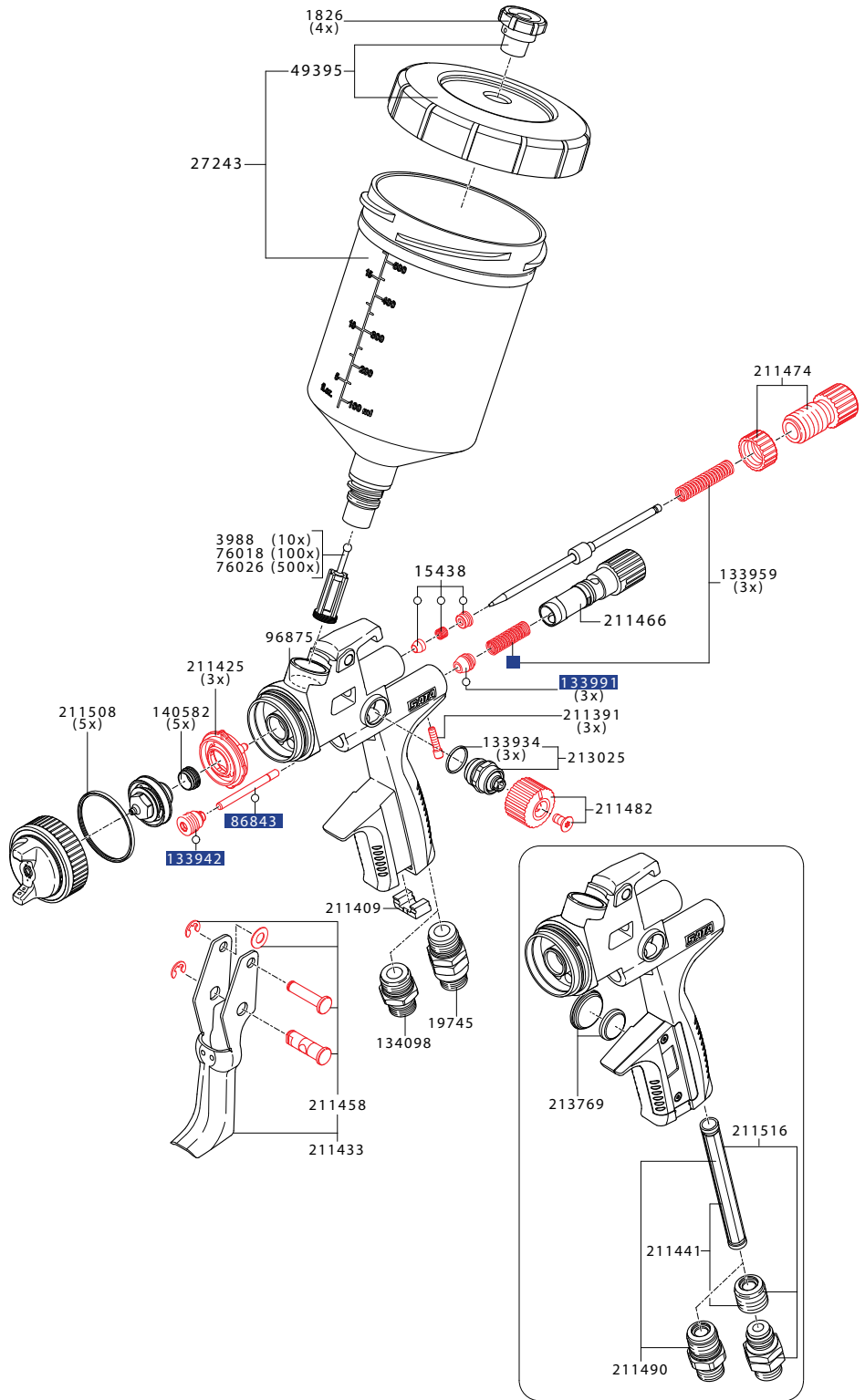
Nozzle set

Art. No.	210955	210963	210971	210989	211011	211045	211052	211060	211078
----------	--------	--------	--------	--------	--------	--------	--------	--------	--------

All prices are recommended list prices. Errors, technical modifications and printing errors reserved.

Spare Parts SATAjet® 5000 B

Art. No./Descr.
1826 Anti-drip device (packing unit 4 pieces)
3988 Paint strainer, 300 µm (packing unit 10 pieces)
15438 Paint needle packing
19745 Swivel joint
27243 0.6 l QCC reusable plastic cup, cpl.
49395 Screw-on lid for 0.6 l PVC cup with drip-catching ring and non-drip device
76018 Paint strainer, 300 µm (packing unit 100 pieces)
76026 Paint strainer, 300 µm (packing unit 500 pieces)
86843 Air piston rod
96875 PVC insert for paint spray guns with QCC cup connection
133934 Sealing (packing unit 3 pieces) for spindle
133942 Seal retainer, cpl.
133959 Pressure spring (3 pieces) for paint needle and air piston
133991 Air piston head (packing unit 3 pieces)
134098 Air connection piece 1/4" (male thread)
140582 Sealing element (packing unit 5 pieces) for fluid tip
211391 Locking screw (packing unit 3 pieces) for air micrometer
211409 CCS-Clips, green, blue, red, black (packing unit 4 pieces)
211425 Air distribution ring (packing unit 3 pieces)
211433 Trigger kit
211441 Seal retainer with sleeve
211458 Trigger sleeve kit
211466 Air micrometer
211474 Material flow control with counter nut
211482 Control knob with screw (each 2 pieces)
211490 Air connection with sleeve
211508 Sealing ring (packing unit 5 pieces)
211516 Swivel joint with seal retainer and sleeve
213025 Spindle, cpl., for round / flat spray control
213769 Battery kit



All prices are recommended list prices. Errors, technical modifications and printing errors reserved.


Art. No./Descr.	
211524	
Tool kit	
· Universal spanner	
· Combi tool	
· Cleaning brush	
· CCS clips	
· Paint strainer	
· Extraction tool	

Art. No./Descr.
211532
Repair kit
82552
Air piston service unit
○ 136960
Sealing kit

SATAjet® 4000 B RP®/HVLP




SATAjet 4000 B RP (DIGITAL)

Technical Data		Inlet pressure: 2.0 bar - 2.2 bar									
	Air consumption at 2.0 bar: 285 NI/min										
	Spray distance: 17 cm - 21 cm										
Nozzle	1,0	1,1	1,2	1,2 W	1,3	1,4	1,6	1,8	2,0	2,5	
Standard with 0.6 l QCC reusable plastic cup, without swivel joint											
Art. No.	166678	166793	166173	166751	166769	166777	166785	168682	168690	168708	
Standard with 0.6 l QCC reusable plastic cup, with swivel joint											
Art. No.	166686	166694	166181	166702	166710	166728	166736	166744	168716	168724	
Standard with RPS disposable cup 0.3 l / 0.6 l / 0.9 l (each 1x) with swivel joint											
Art. No.	-	171538	167122	167130	167148	167155	-	-	-	-	
Nozzle	1,0	1,1	1,2	1,2 W	1,3	1,4	1,6	1,8	2,0	2,5	
DIGITAL with 0.6 l QCC PVC reusable cup with swivel joint											
Art. No.	-	166611	166215	166553	166579	166587	166595	166603	168799	168807	
DIGITAL with RPS disposable cup 0.3 l / 0.6 l / 0.9 l (each 1x) with swivel joint											
Art. No.	-	171546	167205	167213	167221	167239	187153	-	-	-	
Nozzle	1,0	1,1	1,2	1,2 W	1,3	1,4	1,6	1,8	2,0	2,5	
Nozzle set											
Art. No.	166991	167007	167015	167023	167049	167056	167072	167080	168625	168633	



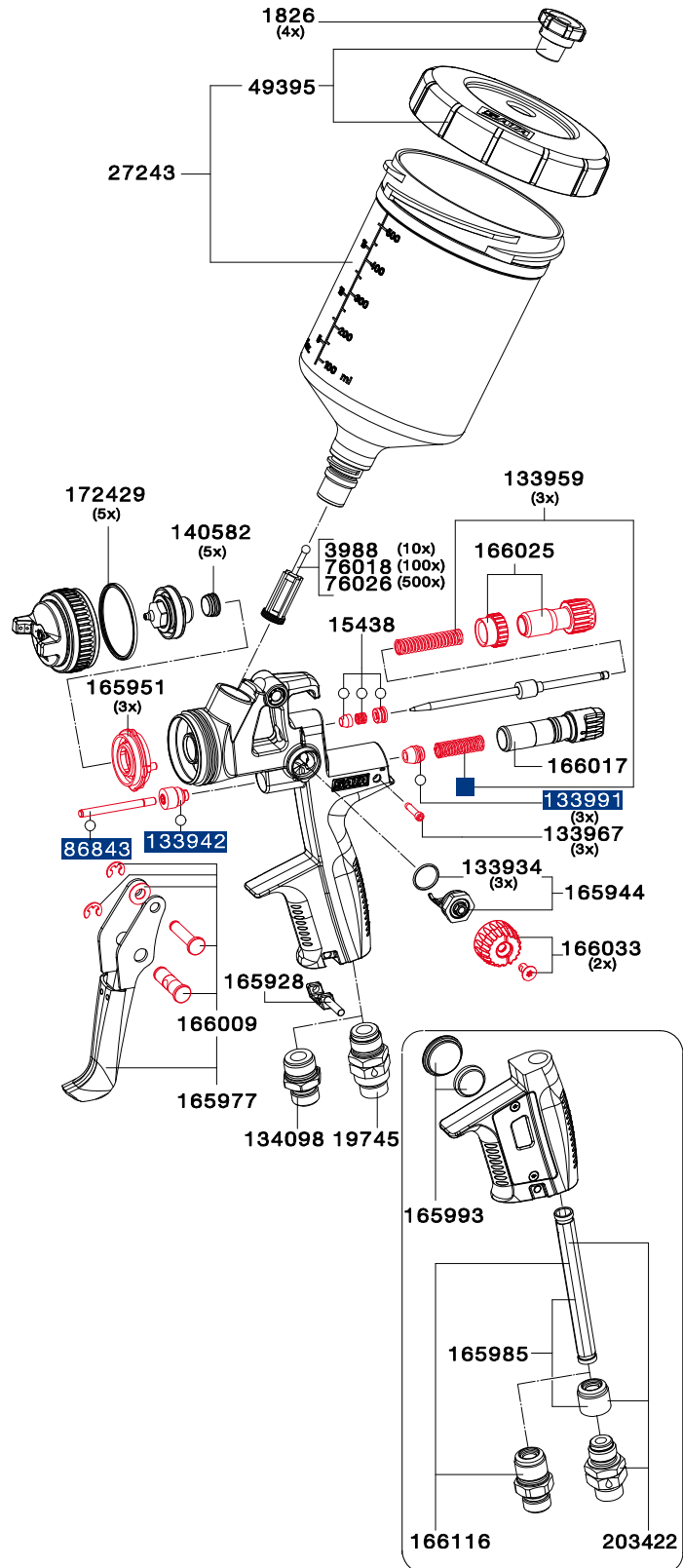
SATAjet 4000 B HVLP (DIGITAL)

Technical Data		Inlet pressure: 2.0 bar									
	Air consumption at 2.0 bar: 430 NI/min										
	Spray distance: 10 cm - 15 cm										
Nozzle	1,0	1,2	WSB	1,3	1,4	1,5	1,7	1,9	2,2		
Standard with 0.6 l QCC reusable plastic cup, without swivel joint											
Art. No.	166868	166199	166918	166876	166892	166900	168732	168740	168757		
Standard with 0.6 l QCC reusable plastic cup, with swivel joint											
Art. No.	166801	166207	166850	166819	166835	166843	168765	168773	168781		
Standard with RPS disposable cup 0.3 l / 0.6 l / 0.9 l (each 1x) with swivel joint											
Art. No.	-	168252	167163	167171	167197	170506	-	-	-		
Nozzle	1,0	1,2	WSB	1,3	1,4	1,5	1,7	1,9	2,2		
DIGITAL with 0.6 l QCC PVC reusable cup with swivel joint											
Art. No.	-	166223	166660	166629	166645	166652	168815	168823	168831		
DIGITAL with RPS disposable cup 0.3 l / 0.6 l / 0.9 l (each 1x) with swivel joint											
Art. No.	-	168260	167247	167254	167270	170514	-	-	-		
Nozzle	1,0	1,2	WSB	1,3	1,4	1,5	1,7	1,9	2,2		
Nozzle set											
Art. No.	166926	166934	166983	166942	166967	166975	168658	168666	168674		

All prices are recommended list prices. Errors, technical modifications and printing errors reserved.

Spare Parts SATAjet® 4000 B

Art. No./Descr.
1826 Anti-drip device (packing unit 4 pieces)
3988 Paint strainer, 300 µm (packing unit 10 pieces)
15438 Paint needle packing
19745 Swivel joint
27243 0.6 l QCC reusable plastic cup, cpl.
49395 Screw-on lid for 0.6 l PVC cup with drip-catching ring and non-drip device
76018 Paint strainer, 300 µm (packing unit 100 pieces)
76026 Paint strainer, 300 µm (packing unit 500 pieces)
86843 Air piston rod
133934 Sealing (packing unit 3 pieces) for spindle
133942 Seal retainer, cpl.
133959 Pressure spring (3 pieces) for paint needle and air piston
133967 Adjustment screw (packing unit 3 pieces) for air micrometer
133991 Air piston head (packing unit 3 pieces)
134098 Air connection piece 1/4" (male thread)
140582 Sealing element (packing unit 5 pieces) for fluid tip
165928 CCS Clips, green, blue, red, black (packing unit 4 pieces)
165944 Spindle for round/flat spray control >Quarter Turn<
165951 Air distribution ring (packing unit 3 pieces)
165977 Trigger kit
165985 Seal retainer with sleeve
165993 Battery kit
166009 Trigger sleeve kit
166017 Air micrometer
166025 Material flow control with counter nut
166033 Control knob with screw (each 2 pieces)
166116 Air connection with sleeve
172429 Sealing ring (packing unit 5 pieces)
203422 Seal retainer with sleeve and swivel joint



All prices are recommended list prices. Errors, technical modifications and printing errors reserved.


Art. No./Descr.
165936 Tool kit
· Universal spanner
· Combi tool
· Cleaning brush
· CCS clips
· Paint strainer
· Extraction tool

Art. No./Descr.
166058 Repair kit
82552 Air piston service unit
○ 136960 Sealing kit

SATAjet® 3000 K RP®/HVLP



SATAjet 3000 K RP

	Technical Data	Inlet pressure: 2.5 bar - 3.0 bar
		Air consumption at 2.5 bar: 430 NI/min
		Spray distance: 17 cm - 21 cm
		Material connection: 3/8" male thread

Nozzle	0,8	1,1	1,3	1,5	1,7	2,0
---------------	-----	-----	-----	-----	-----	-----

Spray gun

Art. No.	92932	93336	93344	93351	93369	93377	
-----------------	-------	-------	-------	-------	-------	-------	--

Nozzle	0,8	1,1	1,3	1,5	1,7	2,0
---------------	-----	-----	-----	-----	-----	-----

Nozzle set


Art. No.	92494	92502	92510	92528	95422	95356	
-----------------	-------	-------	-------	-------	-------	-------	--

available upon request

Spray guns and nozzle sets with lifetime prolonging surface of fluid tip and paint needle.



SATAjet 3000 K HVLP

	Technical Data	Inlet pressure: 2.5 bar
		Air consumption at 2.5 bar: 560 NI/min
		Spray distance: 10 cm - 15 cm
		Material connection: 3/8" male thread

Nozzle	0,8	1,0	1,2	1,4	1,6	2,0
---------------	-----	-----	-----	-----	-----	-----

Spray gun

Art. No.	93385	92924	93393	193656	96164	96172	
-----------------	-------	-------	-------	--------	-------	-------	--


Nozzle	0,8	1,0	1,2	1,4	1,6	2,0
---------------	-----	-----	-----	-----	-----	-----

Nozzle set

Art. No.	92783	92791	92809	191379	92817	92825	
-----------------	-------	-------	-------	--------	-------	-------	--

available upon request

Spray guns and nozzle sets with lifetime prolonging surface of fluid tip and paint needle.

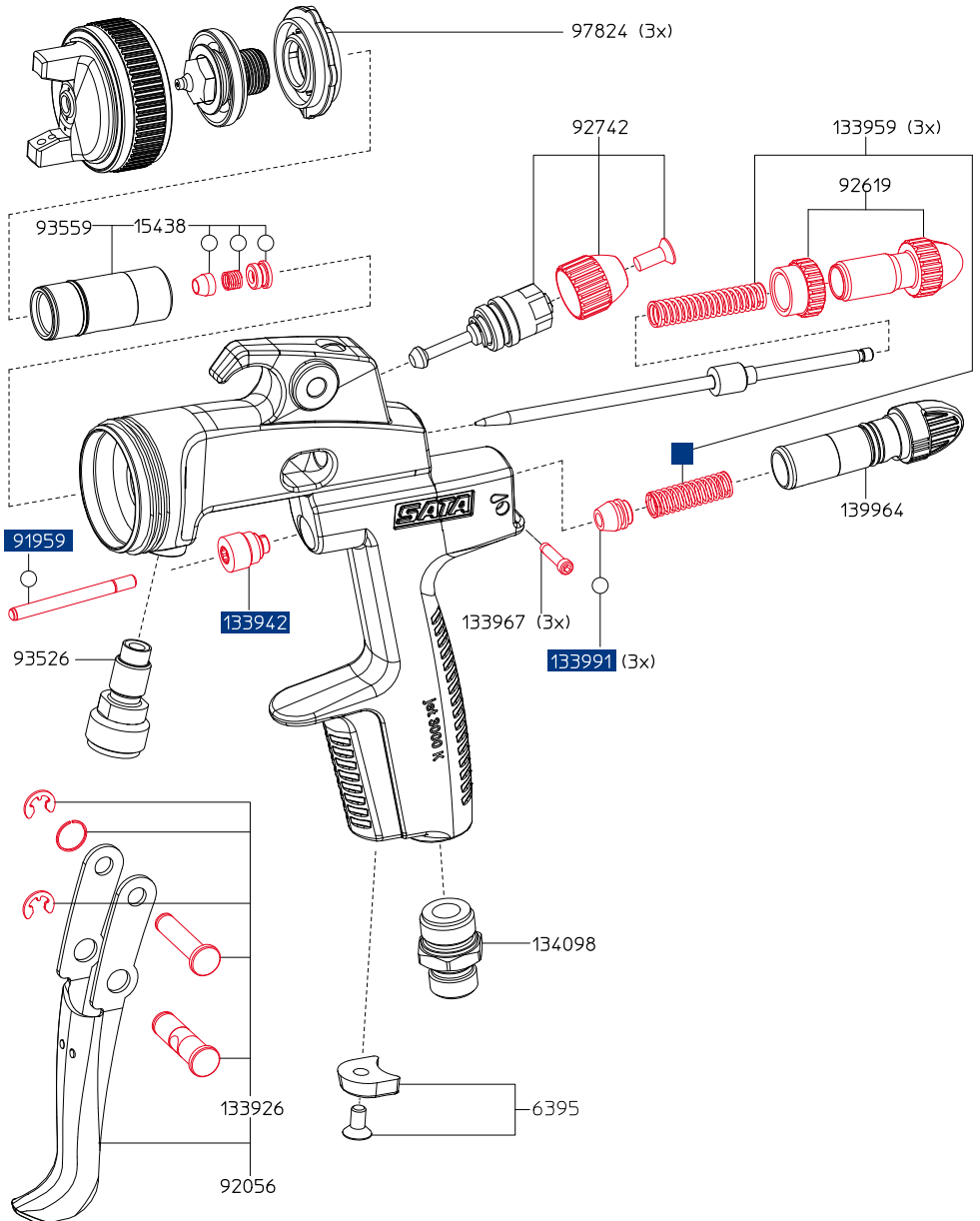
Required accessories for SATA pressure fed spray guns		
92031	SATA paint tube G 3/8" (female thread) - 3/8" (male thread) for SATA pressure fed spray guns	
38265	SATA paint strainer 60 msh, G 3/8" (female thread) and 3/8" (male thread) for SATA pressure fed spray gun except for SATAminijet	

Further accessories as well as material and air connections see page 50.

All prices are recommended list prices. Errors, technical modifications and printing errors reserved.

Spare Parts SATAjet® 3000 K

Art. No./Descr.
6395 CCS Clips, green, blue, red, black packing unit 4 pieces)
15438 Paint needle packing
91900 Material connection, stainless steel
91959 Air piston rod
92056 Trigger kit
92619 Material flow control with counter nut
92742 Round/flat spray control SATAjet 3000 K, jet K3
93526 Material connection, stainless steel
93559 Insert, stainless steel
97824 Air distribution ring (3 pieces)
133926 Trigger sleeve kit
133942 Seal retainer, cpl.
133959 Pressure spring (3 pieces) for paint needle and air piston
133967 Adjustment screw (packing unit 3 pieces) for air micrometer
133991 Air piston head (packing unit 3 pieces)
134098 Air connection piece 1/4" (male thread)
139964 Air micrometer



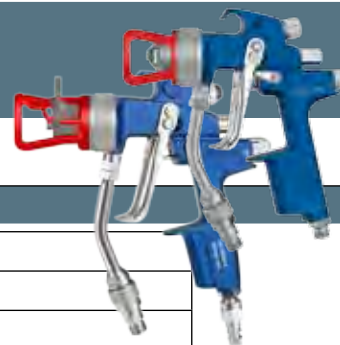
All prices are recommended list prices. Errors, technical modifications and printing errors reserved.

Art. No./Descr.
9050 Tool kit
· Extraction tool
· Paint strainer
· Cleaning brush
· Allen wrench 2 mm width
· Allen wrench 4 mm width
· Universal spanner




Art. No./Descr.
92767 Repair kit
92759 Air piston service unit
○ 183780 Sealing kit

SATAjet® 3000 K spray mix



SATAjet 3000 K spray mix

Technical Data	Max. operating pressure atomisation air: 10.0 bar
	Max. operating pressure material: 250.0 bar
	Weight incl. material filter: 650 g

Spray mix gun

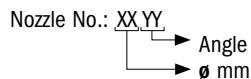
120006	SATAjet 3000 K spray mix with paint tube, strainer 100 msh, without paint nozzle	
--------	--	--

Spray mix spray gun with inversion switch

120014	SATAjet 3000 K spray mix with paint tube, strainer 100 msh, inversion switch, without inversion nozzle	
207530	Retrofit kit, inversion switch without inversion nozzle for SATAjet 3000 K spray mix	

Nozzles SATAjet 3000 K spray mix (not included in the scope of delivery of the Spray mix gun)

Fluid tip		Inversion nozzle for inversion switch		Technical Data						
Nozzle No.	Art. No.	Nozzle No.	Art. No.	ø mm	ø inch	Angle	Width	I/min at 70 bar (1015 psi)		Strainer
*										
1840	23044*			0,18	0,007	40°	18	0,16		
2325	7328			0,23	0,009	25°	14	0,23	200 msh 85 µm	74856 Set of four pcs.
2350	7435			0,23	0,009	50°	22	0,23		
2360	74922			0,23	0,009	60°	24	0,23		
		2550	207548	0,25	0,010	20°/50°	14/22	0,25		
2825	16998			0,28	0,011	25°	14	0,30	100 msh 150 µm	12278 Set of four pcs.
2850	50906			0,28	0,011	50°	22	0,30		
2865	13771			0,28	0,011	65°	26	0,30		
		3050	207555	0,30	0,012	20°/50°	14/22	0,38		
3325	20206			0,33	0,013	25°	14	0,45	60 msh 250 µm	12260 Set of four pcs.
3350	50898			0,33	0,013	50°	23	0,45		
3365	13789			0,33	0,013	65°	28	0,45		
3375	74930			0,33	0,013	75°	32	0,45		
3390	73742			0,33	0,013	90°	40	0,45		
		3550	207563	0,35	0,014	20°/50°	14/24	0,50		
3825	13797			0,38	0,015	25°	15	0,61		
3850	7344			0,38	0,015	50°	25	0,61		
3882	74948			0,38	0,015	82°	34	0,61		
		4050	207571	0,40	0,016	20°/50°	14/25	0,70		
4650	19307			0,46	0,018	50°	25	0,95		
4682	74955			0,46	0,018	82°	35	0,95		
5370	150276			0,53	0,021	70°	33	1,28		
6050	17004			0,60	0,024	50°	31	1,59		



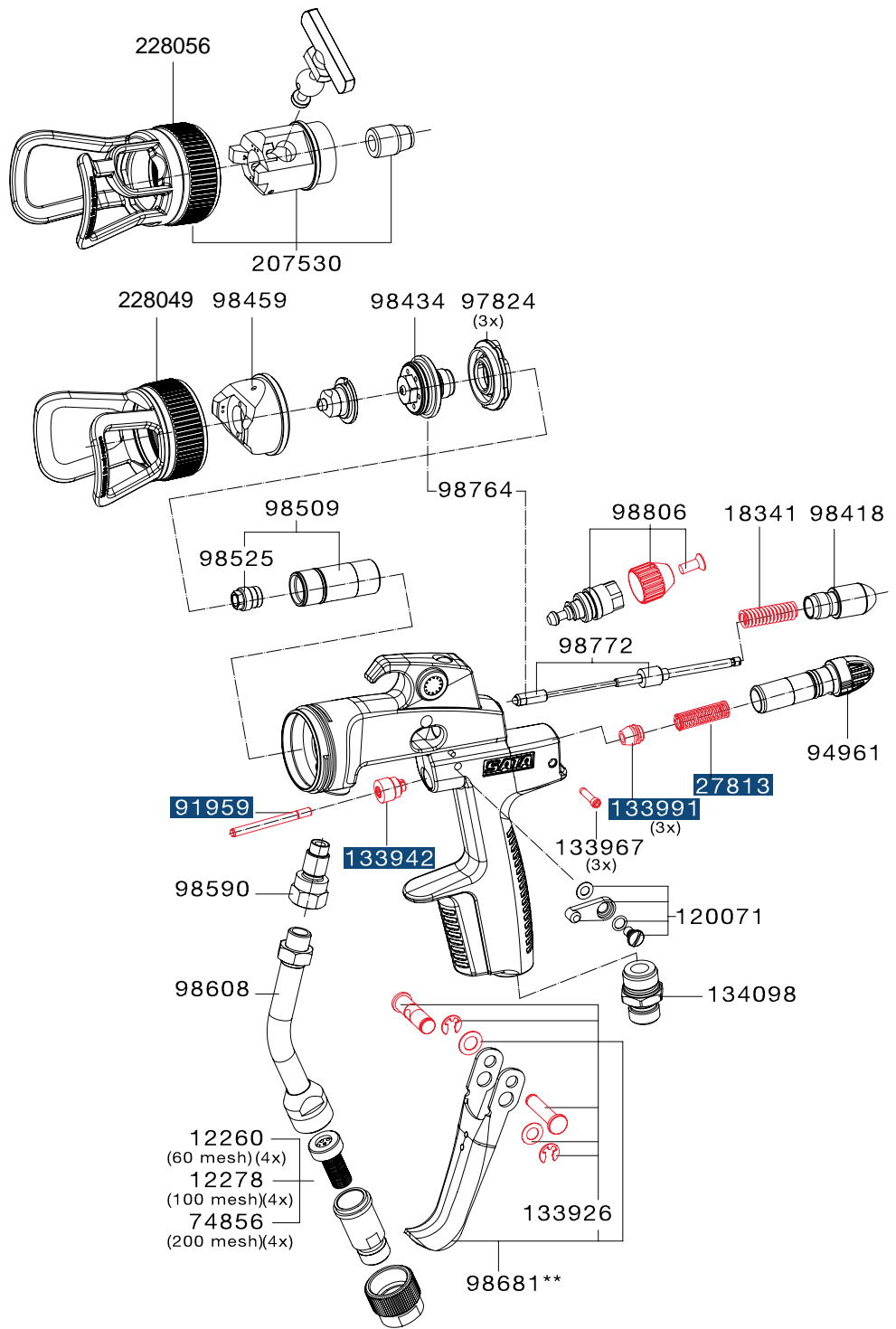
Hose pairs see page 117.

Further accessories as well as material and air connections see page 50.

All prices are recommended list prices. Errors, technical modifications and printing errors reserved.

Spare Parts SATAjet® 3000 K spray mix

Art. No./Descr.
12260
Sieve 60 msh (packing unit 4 pieces)
12278
Sieve, 100 msh (packing unit 4 pieces)
18341
Pressure spring for paint needle
27813
Spring for air piston of SATA spray guns except for SATA minijet
74856
Strainer kit: Sieve 200 msh (packing unit 4 pieces), strainer holder (packing unit 2 pieces), screw (packing unit 1 piece)
91959
Air piston rod
94961
Air micrometer
97824
Air distribution ring (3 pieces)
98418
Closing screw
98434
Pre-nozzle, cpl. SATA jetK3 Spray mix
98459
Air cap round/flat spray fan
98509
Insert with seal retainer
98525
Seal retainer, cpl.
98541
Carbide needle tip
98590
Material connection
98608
Paint tube with strainer 100 msh
98681
Trigger kit
98764
Nozzle set SATAjet 3000 spray mix, consisting of pre-nozzle and needle tip
98772
Paint needle with carbide needle tip, cpl.
98806
Round/flat spray control SATAjet K3 spray mix, jet 3000 K spray mix
120071
Trigger block, cpl.
133926
Trigger sleeve kit
133942
Seal retainer, cpl.
133967
Adjustment screw (packing unit 3 pieces) for air micrometer
133991
Air piston head (packing unit 3 pieces)
134098
Air connection piece 1/4" (male thread)
207522
Gasket unit inversion switch
207530
Retrofit kit, inversion switch without inversion nozzle
228049
Air cap ring with protection against accidental contact
228056
Air cap ring with protection against accidental contact




Art. No./Descr.
98707
Repair kit
92759
Air piston service unit
30833
Nozzle cleaning kit

All prices are recommended list prices. Errors, technical modifications and printing errors reserved.

SATAjet® 1000 B RP®/HVLP



SATAjet 1000 B RP

Technical Data		Inlet pressure: 1.5 bar – 2.0 bar										
		Air consumption at 2.0 bar: 275 NI/min										
		Spray distance: 17 cm – 21 cm										
Nozzle	0,8	1,0	1,3	1,6	1,8	2,0	2,5	3,0	4,0			
Spray gun with 0.6 l QCC reusable PVC gravity flow cup without swivel joint												
Art. No.	151183	151191	149302	149310	150391	149328	151209	151217			154161	
Spray gun with 0.6 l QCC reusable PVC gravity flow cup with swivel joint												
Art. No.	157875	157883	157891	157909	157917	157925	157933	157941			157958	
Nozzle	0,8	1,0	1,3	1,6	1,8	2,0	2,5	3,0	4,0			
Spray gun with 0.75 l QCC reusable aluminium gravity flow cup without swivel joint												
Art. No.	151225	151233	150342	149344	150409	149351	151241	151258			154179	
Nozzle	0,8	1,0	1,3	1,6	1,8	2,0	2,5	3,0	4,0	5,0		
Nozzle set												
Art. No.	151316	151324	149161	149179	150417	149187	151332	151340			154187	
											154195	
	High viscosity						222372	222380				


Extensions see page 48.

SATAjet 1000 B RP for glue applications

164962	SATAjet 1000 B RP nozzle 1.6 D Drall 0.6 l QCC reusable plastic cup	
164970	Nozzle set SATAjet 1000 B RP 1.6 Drall	
214320	SATAjet 1000 B RP nozzle 1.3 DA pressurised cup spray gun for dispersion glues, incl. SATA BVD add-on kit	
214338	Nozzle set SATAjet 1000 B RP 1.3 DA for dispersion glues	



SATAjet 1000 B HVLP

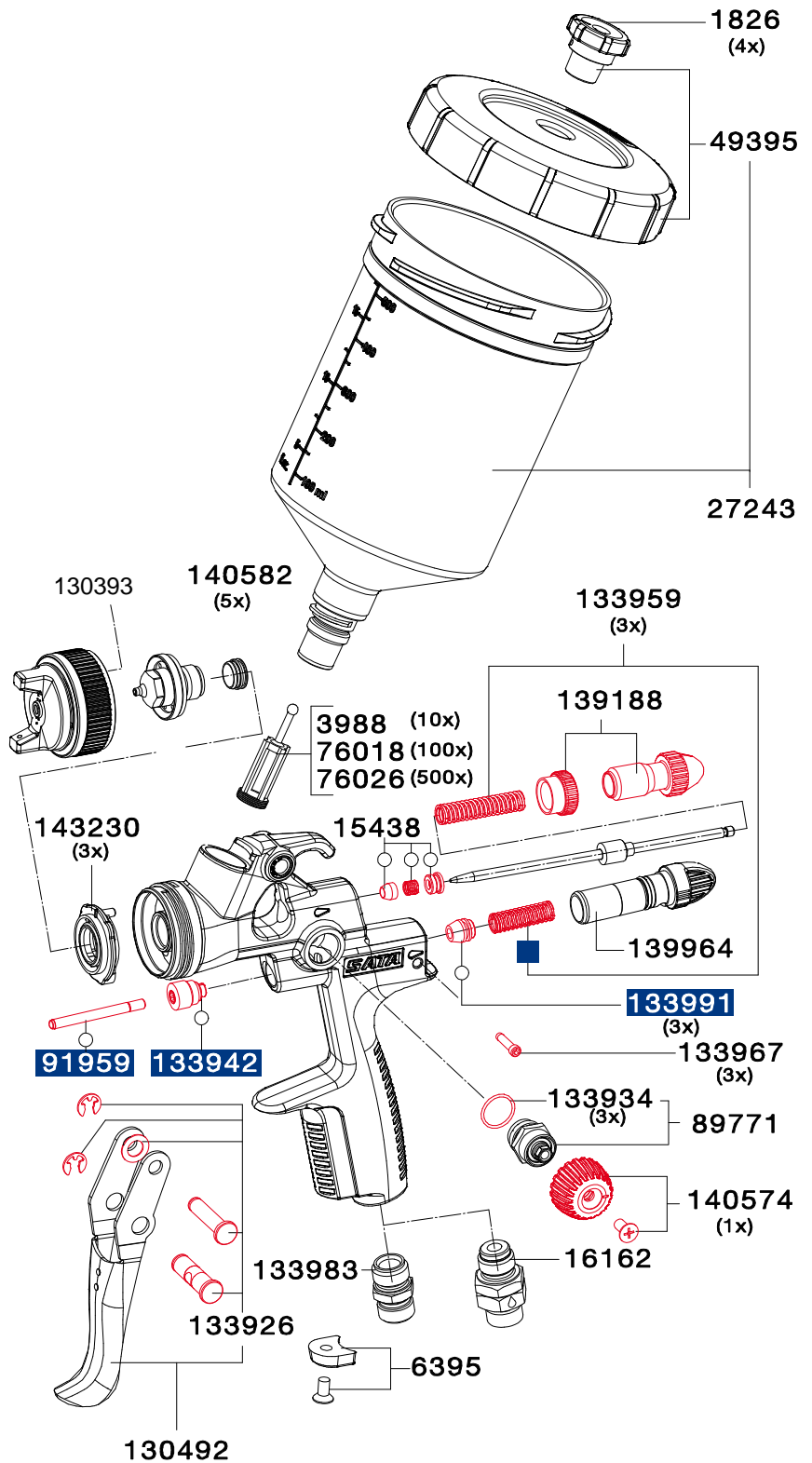
Technical Data		Inlet pressure: 2.0 bar									
		Air consumption at 2.0 bar: 350 NI/min									
		Spray distance: 13 cm – 17 cm									
Nozzle	1,4	1,7	1,9	2,1							
Spray gun with 0.6 l QCC reusable PVC gravity flow cup without swivel joint											
Art. No.	149377	149385	149393	149401							
Spray gun with 0.6 l QCC reusable PVC gravity flow cup with swivel joint											
Art. No.	157966	157974	157982	157990							
Nozzle	1,4	1,7	1,9	2,1							
Spray gun with 0.75 l QCC reusable aluminium gravity flow cup without swivel joint											
Art. No.	149419	149427	149435	149443							
Nozzle	1,4	1,7	1,9	2,1							
Nozzle set											
Art. No.	149195	149203	149211	149229							

*HV = high viscosity

All prices are recommended list prices. Errors, technical modifications and printing errors reserved.

Spare Parts SATAjet® 1000 B

Art. No./Descr.
1826 Anti-drip device (packing unit 4 pieces)
3988 Paint strainer, 300 µm (packing unit 10 pieces)
6395 CCS Clips, green, blue, red, black packing unit 4 pieces)
15438 Paint needle packing
16162 Swivel joint
27243 0.6 l QCC reusable plastic cup, cpl.
49395 Screw-on lid for 0.6 l PVC cup with drip-catching ring and non-drip device
76018 Paint strainer, 300 µm (packing unit 100 pieces)
76026 Paint strainer, 300 µm (packing unit 500 pieces)
89771 Spindle, cpl., f. round / flat spray control SATAjet 2000 HVLP
91959 Air piston rod
130393 Sealing ring for air cap ring SATAjet 100 and 1000
130492 Trigger kit
133926 Trigger sleeve kit
133934 Sealing (packing unit 3 pieces) for spindle
133942 Seal retainer, cpl.
133959 Pressure spring (3 pieces) for paint needle and air piston
133967 Adjustment screw (packing unit 3 pieces) for air micrometer
133983 Air connection piece 1/4" male thread
133991 Air piston head (packing unit 3 pieces)
139188 Material flow control with counter nut
139964 Air micrometer
140574 Control knob with screw
140582 Sealing element (packing unit 5 pieces) for fluid tip
143230 Air distribution ring (packing unit 3 pieces)



All prices are recommended list prices. Errors, technical modifications and printing errors reserved.

Art. No./Descr.
9050 Tool kit
· Extraction tool
· Paint strainer
· Cleaning brush
· Allen wrench 2 mm width
· Allen wrench 4 mm width
· Universal spanner

Art. No./Descr.
130542 Repair kit
92759 Air piston service unit
183780 Sealing kit

SATAjet® 1000 B RP®/HVLP LIGNUM



SATAjet 1000 B RP LIGNUM

Technical Data	Inlet pressure: 1.5 bar - 2.0 bar
	Air consumption at 2.0 bar: 275 NI/min
	Spray distance: 17 cm - 21 cm

Nozzle	0,8	1,0	1,3	1,6	1,8	2,0	2,5	3,0	4,0	5,0
---------------	-----	-----	-----	-----	-----	-----	-----	-----	-----	-----

Spray gun with 0.6 l QCC reusable PVC gravity flow cup **with** swivel joint

Art. No.	-	-	190157	190165	190173	190181	197665	-	-	-
-----------------	---	---	--------	--------	--------	--------	--------	---	---	---

Nozzle	0,8	1,0	1,3	1,6	1,8	2,0	2,5	3,0	4,0	5,0
---------------	-----	-----	-----	-----	-----	-----	-----	-----	-----	-----

Nozzle set

Art. No.	151316	151324	149161	149179	150417	149187	151332	151340		
									154187	154195
High viscosity							222372	222380		

Extensions see page 48.



SATAjet 1000 B HVLP LIGNUM

Technical Data	Inlet pressure: 2.0 bar
	Air consumption at 2.0 bar: 350 NI/min
	Spray distance: 13 cm - 17 cm

Nozzle	1,4	1,7	1,9	2,1
---------------	-----	-----	-----	-----

Spray gun with 0.6 l QCC reusable PVC gravity flow cup **with** swivel joint

Art. No.	190124	190132	190140	-	
-----------------	--------	--------	--------	---	--

Nozzle	1,4	1,7	1,9	2,1
---------------	-----	-----	-----	-----

Nozzle set

Art. No.	149195	149203	149211	149229	
-----------------	--------	--------	--------	--------	--

Extensions see page 48.

Accessories

25775	SATA BVD conversion kit		
29926	SATA agitator cup, conversion kit		

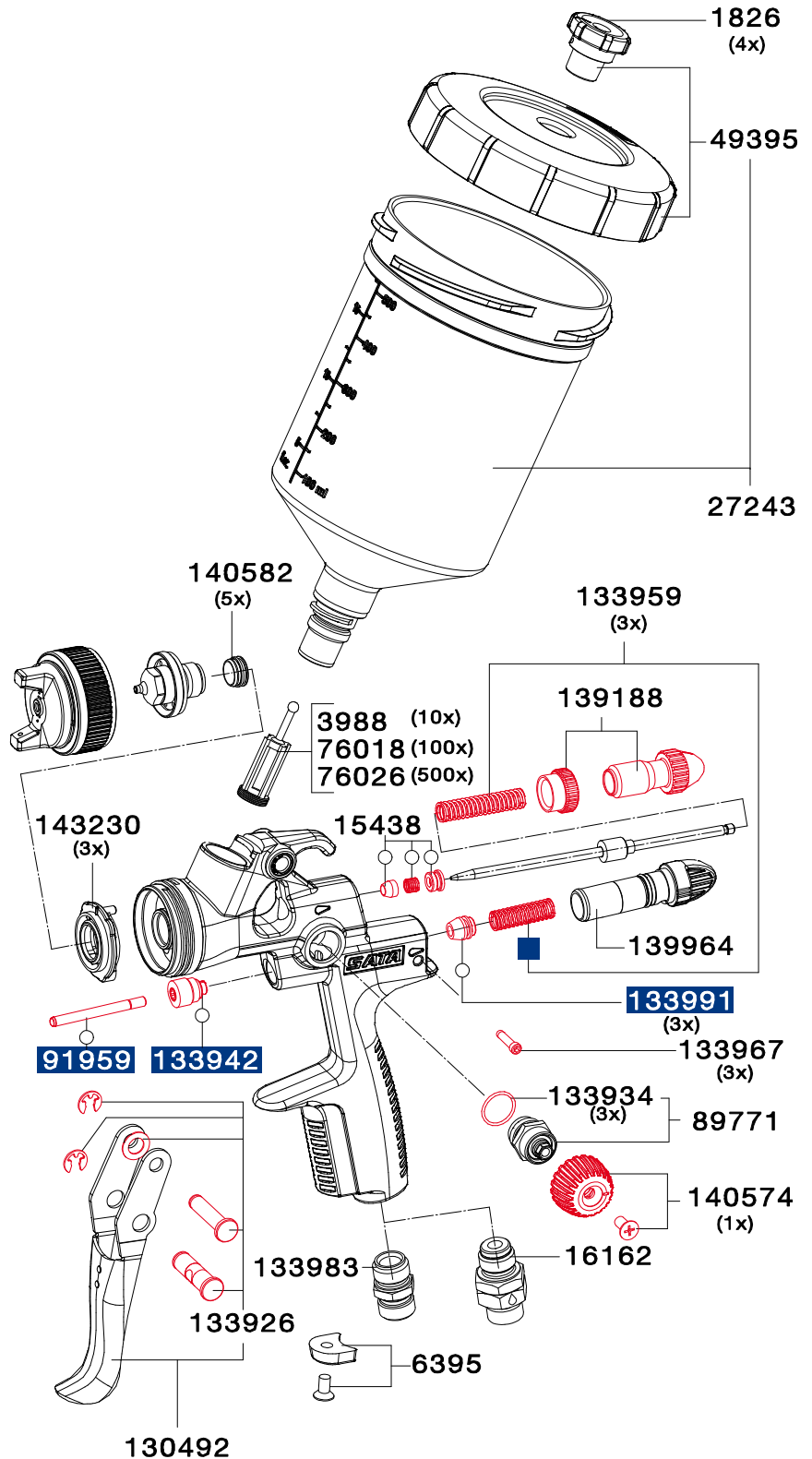
SATA RPS disposable cup systems see page 64.

Note: The SATAjet 1000 B LIGNUM is technically identical to the SATAjet 1000 B. The sophisticated refining process of the gun surface may entail slight colour shade differences. Colour changes, e.g. by the influence of light, are also possible.

All prices are recommended list prices. Errors, technical modifications and printing errors reserved.

Spare Parts SATAjet® 1000 B LIGNUM

Art. No./Descr.
1826
Anti-drip device (packing unit 4 pieces)
3988
Paint strainer, 300 µm (packing unit 10 pieces)
6395
CCS Clips, green, blue, red, black packing unit 4 pieces)
15438
Paint needle packing
16162
Swivel joint
27243
0.6 l QCC reusable plastic cup, cpl.
49395
Screw-on lid for 0.6 l PVC cup with drip-catching ring and non-drip device
76018
Paint strainer, 300 µm (packing unit 100 pieces)
76026
Paint strainer, 300 µm (packing unit 500 pieces)
89771
Spindle, cpl., f. round / flat spray control SATAjet 2000 HVLP
91959
Air piston rod
130492
Trigger kit
133926
Trigger sleeve kit
133934
Sealing (packing unit 3 pieces) for spindle
133942
Seal retainer, cpl.
133959
Pressure spring (3 pieces) for paint needle and air piston
133967
Adjustment screw (packing unit 3 pieces) for air micrometer
133983
Air connection piece 1/4" male thread
133991
Air piston head (packing unit 3 pieces)
139188
Material flow control with counter nut
139964
Air micrometer
140574
Control knob with screw
140582
Sealing element (packing unit 5 pieces) for fluid tip
143230
Air distribution ring (packing unit 3 pieces)



Art. No./Descr.
9050
Tool kit
· Extraction tool
· Paint strainer
· Cleaning brush
· Paint strainer
· Allen wrench 2 mm width
· Allen wrench 4 mm width
· Universal spanner

Art. No./Descr.
130542
Repair kit
92759
Air piston service unit
○ 183780
Sealing kit

All prices are recommended list prices. Errors, technical modifications and printing errors reserved.

SATAjet® 1000 K RP®/HVLP



SATAjet 1000 K RP

Technical Data



Inlet pressure: 2.5 bar
Air consumption at 2.5 bar: 410 NI/min
Spray distance: 17 cm - 21 cm
Material connection: 3/8" male thread

Nozzle	0,8	1,1	1,3	1,5	1,7	2,0	2,5	3,0	4,0	5,0
--------	-----	-----	-----	-----	-----	-----	-----	-----	-----	-----

Spray gun

Art. No.	132092	132100	132118	132126	132134	132142	153486	153494		
									154336	-

Spray gun with lifetime prolonging surface on fluid tip and paint needle

Art. No.	141903	141911	141929	141937	141945	141952	-	-	-	-
----------	--------	--------	--------	--------	--------	--------	---	---	---	---

Spray gun with slit nozzle

Art. No.	-	-	-	-	-	-	154344	154351	154369	-
----------	---	---	---	---	---	---	--------	--------	--------	---

Nozzle set

Art. No.	132159	132167	132175	132183	132191	132209	153528	153536		
									154377	154385

Nozzle set with lifetime prolonging surface of fluid tip and paint needle

Art. No.	141648	141655	141663	141689	141697	141705	159442	-	-	-
----------	--------	--------	--------	--------	--------	--------	--------	---	---	---

Slit nozzle set

Art. No.							154393	154401	154419	-
----------	--	--	--	--	--	--	--------	--------	--------	---

SATAjet 1000 K RP for adhesive applications

161232	SATAjet 1000 K RP nozzle 1.6 D Drall material connection 3/8" (male thread)
159707	Nozzle set SATAjet 1000 K RP 1.6 Drall
211979	SATAjet 1000 K RP nozzle 1.3 DA for dispersion adhesives, material connection 3/8" (male thread)
211961	Nozzle set SATAjet 1000 K RP 1.3 DA for dispersion adhesives



SATAjet 1000 K HVLP

Technical Data



Inlet pressure: 2.5 bar
Air consumption at 2.5 bar: 530 NI/min
Spray distance: 10 cm - 15 cm
Material connection: 3/8" male thread

Nozzle	0,8	1,0	1,2	1,4	1,6	2,0
--------	-----	-----	-----	-----	-----	-----

Spray gun

Art. No.	139196	139204	139212	193664	139220	139238		
----------	--------	--------	--------	--------	--------	--------	--	--

Spray gun with lifetime prolonging surface on fluid tip and paint needle

Art. No.	141960	141978	141986	-	142000	142018		
----------	--------	--------	--------	---	--------	--------	--	--

Nozzle set

Art. No.	139253	139261	139279	191387	139287	139295		
----------	--------	--------	--------	--------	--------	--------	--	--

Nozzle set with lifetime prolonging surface of fluid tip and paint needle

Art. No.	141762	141770	141804	-	141812	141838		
----------	--------	--------	--------	---	--------	--------	--	--

Required accessories for SATA pressure fed spray guns

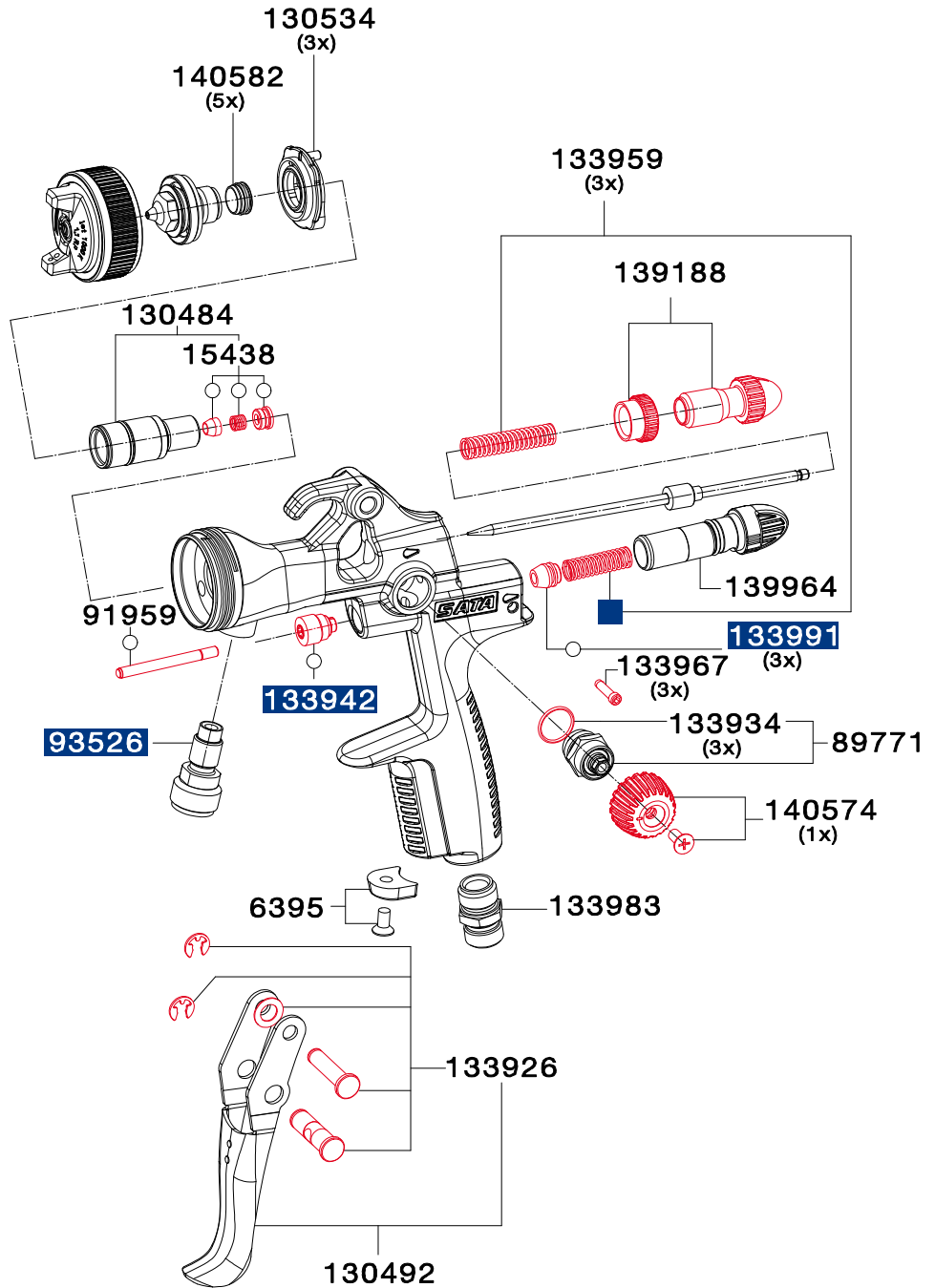
92031	SATA paint tube G 3/8" (female thread) - 3/8" (male thread) for SATA pressure fed spray guns
38265	SATA paint strainer 60 msh, G 3/8" (female thread) and 3/8" (male thread) for SATA pressure fed spray gun except for SATAminijet

Further accessories as well as material and air connections see page 50. Extensions see page 48.

All prices are recommended list prices. Errors, technical modifications and printing errors reserved.

Spare Parts SATAjet® 1000 K

Art. No./Descr.
6395 CCS Clips, green, blue, red, black packing unit 4 pieces)
15438 Paint needle packing
89771 Spindle, cpl., f. round / flat spray control SATAjet 2000 HVLV
91959 Air piston rod
93526 Material connection, stainless steel
130484 Insert, cpl.
130492 Trigger kit
130534 Air distribution ring (packing unit 3 pieces)
133926 Trigger sleeve kit
133934 Sealing (packing unit 3 pieces) for spindle
133942 Seal retainer, cpl.
133959 Pressure spring (3 pieces) for paint needle and air piston
133967 Adjustment screw (packing unit 3 pieces) for air micrometer
133983 Air connection piece 1/4" male thread
133991 Air piston head (packing unit 3 pieces)
139188 Material flow control with counter nut
139964 Air micrometer
140574 Control knob with screw
140582 Sealing element (packing unit 5 pieces) for fluid tip



All prices are recommended list prices. Errors, technical modifications and printing errors reserved.

Art. No./Descr.
9050 Tool kit
· Extraction tool
· Paint strainer
· Cleaning brush
· Allen wrench 2 mm width
· Allen wrench 4 mm width
· Universal spanner



Art. No./Descr.
130542 Repair kit
92759 Air piston service unit
○ 183780 Sealing kit

SATAjet® 1000 H RP®



SATAjet 1000 H RP

Technical Data



Inlet pressure: 2.5 bar
 Air consumption at 2.0 bar: 275 NI/min
 Spray distance: 17 cm - 21 cm

Nozzle	1,3	1,6	1,8	2,0
--------	-----	-----	-----	-----

Standard with 1.0 l aluminium siphon cup **without** swivel joint

Art. No.	161034	151266	151274	153353	
----------	--------	--------	--------	--------	--

Nozzle set

Art. No.	161059	151613	151621	153379	
----------	--------	--------	--------	--------	--

Further accessories

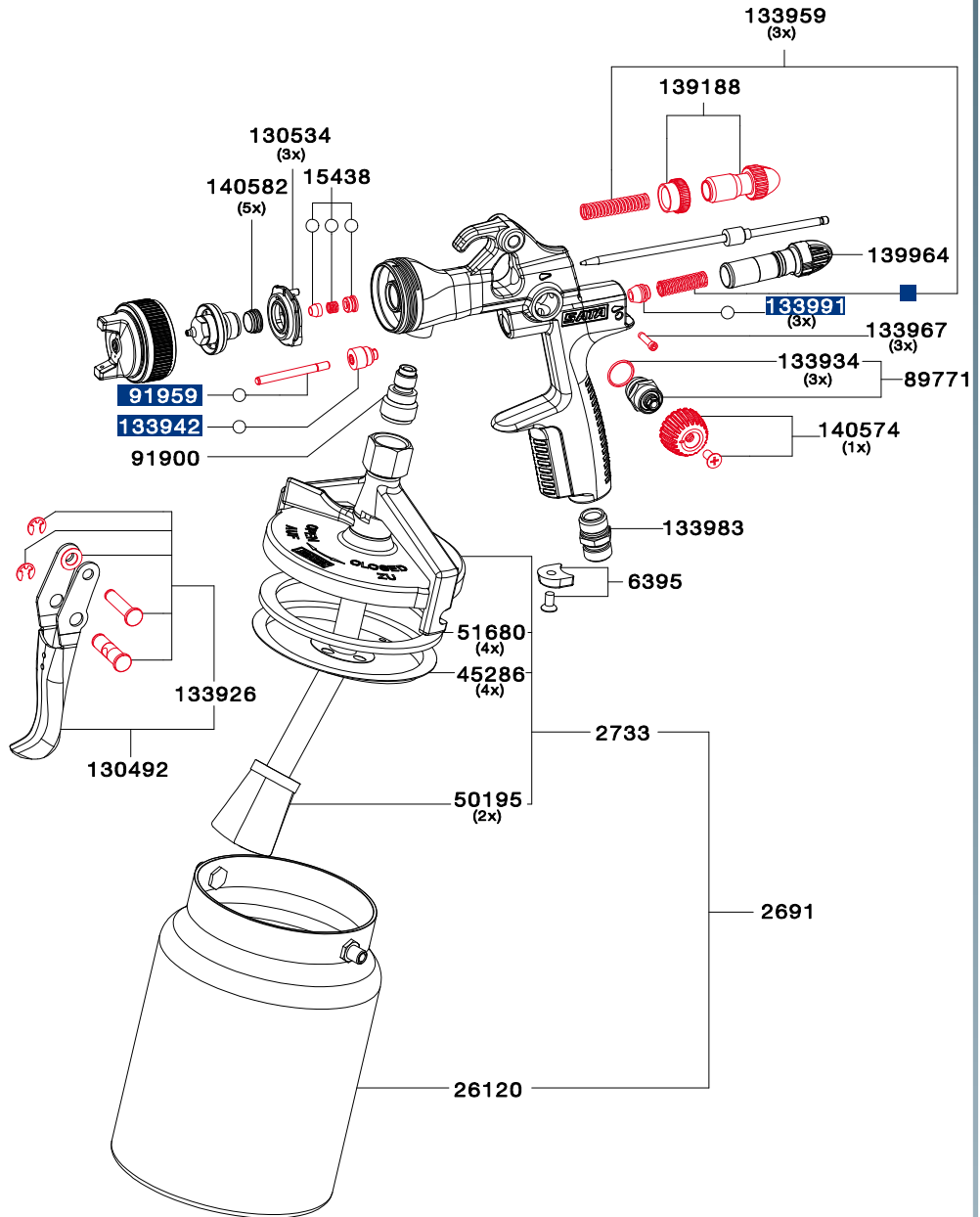
188292	RPS-Adapter No. 16 with QCC and connection G 3/8" (female thread)	
188482	RPS Suction cup kit for 0.3 l consisting of each 25 pins, suction hose and sieve	
188516	RPS Suction cup kit for 0.3 l consisting of each 50 pins, suction hose and sieve	
188490	RPS Suction cup kit for 0.6 l consisting of each 25 pins, suction hose and sieve	
188524	RPS Suction cup kit for 0.6 l consisting of each 50 pins, suction hose and sieve	
188508	RPS Suction cup kit for 0.9 l consisting of each 25 pins, suction hose and sieve	
188532	RPS Suction cup kit for 0.9 l consisting of each 50 pins, suction hose and sieve	

SATA RPS disposable cup systems see page 64

All prices are recommended list prices. Errors, technical modifications and printing errors reserved.

Spare Parts SATAjet® 1000 H

Art. No./Descr.
2691
1.0 l aluminium suction cup, cpl.
2733
Lid fitting
6395
CCS Clips, green, blue, red, black packing unit 4 pieces)
15438
Paint needle packing
26120
1.0 l aluminium suction cup, ohne Deckel
45286
Anti-drip device (pack of 4 pieces)
50195
Strainer (packing unit 2 pieces)
51680
Sealing ring (packing unit 4 pieces)
89771
Spindle, cpl., f. round / flat spray control SATAjet 2000 HVLP
91900
Material connection, stainless steel
91959
Air piston rod
130492
Trigger kit
130534
Air distribution ring (packing unit 3 pieces)
133926
Trigger sleeve kit
133934
Sealing (packing unit 3 pieces) for spindle
133942
Seal retainer, cpl.
133959
Pressure spring (3 pieces) for paint needle and air piston
133967
Adjustment screw (packing unit 3 pieces) for air micrometer
133983
Air connection piece 1/4" male thread
133991
Air piston head (packing unit 3 pieces)
139188
Material flow control with counter nut
139964
Air micrometer
140574
Control knob with screw
140582
Sealing element (packing unit 5 pieces) for fluid tip



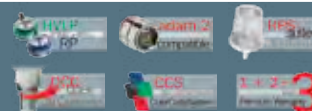
All prices are recommended list prices. Errors, technical modifications and printing errors reserved.

Art. No./Descr.
9050
Tool kit
· Extraction tool
· Paint strainer
· Cleaning brush
· Allen wrench 2 mm width
· Allen wrench 4 mm width
· Universal spanner




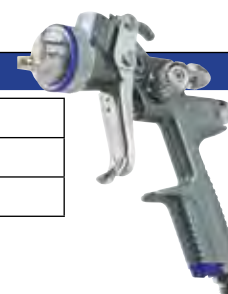
Art. No./Descr.
130542
Repair kit
92759
Air piston service unit
○ 183780
Sealing kit

SATAjet® 100 B F RP®/HVLP, B P




SATAjet 100 B F RP

	Technical Data	Inlet pressure: 1.5 bar - 2.0 bar
		Air consumption at 2.0 bar: 290 NI/min
		Spray distance: 18 cm - 23 cm



Nozzle	1,4	1,6	1,8	2,0
Spray gun with 0.6 l QCC reusable plastic gravity flow cup without swivel joint				
Art. No.	146969	145193	145201	145219
Spray gun with 0.75 l QCC reusable aluminium gravity flow cup without swivel joint				
Art. No.	153023	146134	146142	147421
Nozzle	1,4	1,6	1,8	2,0
Nozzle set				
Art. No.	146977	145250	145268	145276


SATAjet 100 B F HVLP

	Technical Data	Inlet pressure: 2.0 bar
		Air consumption at 2.0 bar: 350 NI/min
		Spray distance: 13 cm - 17 cm



Nozzle	1,4	1,7	1,9	2,1
Spray gun with 0.6 l QCC reusable plastic gravity flow cup without swivel joint				
Art. No.	146373	145722	145730	145748
Spray gun with 0.75 l QCC reusable aluminium gravity flow cup without swivel joint				
Art. No.	147447	146175	146183	147454
Nozzle	1,4	1,7	1,9	2,1
Nozzle set				
Art. No.	146381	145417	145425	145433

SATAjet 100 B P

	Technical Data	Inlet pressure: 1.5 bar - 2.0 bar
		Air consumption at 2.0 bar: 245 NI/min
		Spray distance: 18 cm - 23 cm

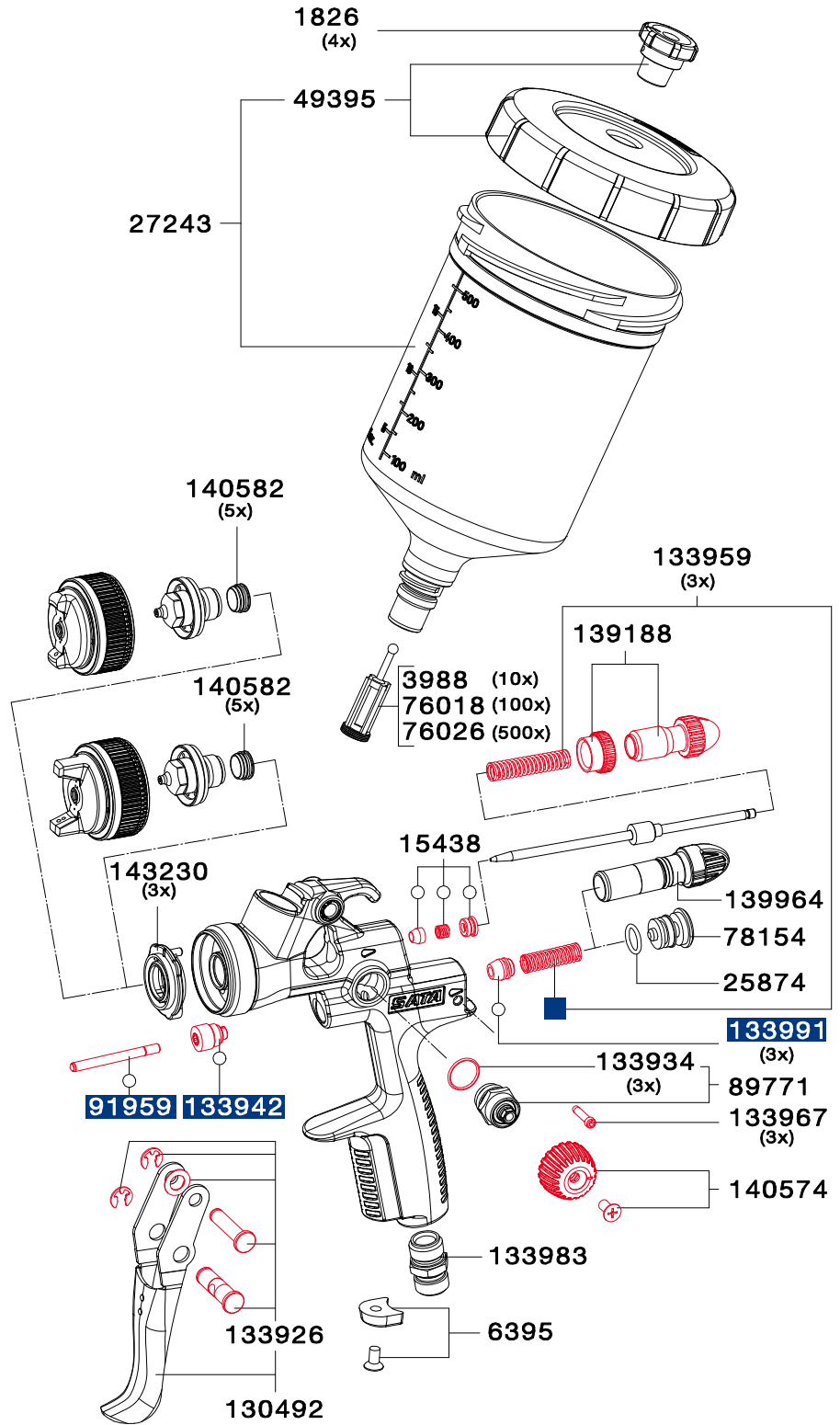


Nozzle	P
Spray gun with 0.6 l QCC reusable plastic gravity flow cup without swivel joint	
Art. No.	145185
Spray gun with 0.75 l QCC reusable aluminium gravity flow cup without swivel joint	
Art. No.	146217
Nozzle	P
Nozzle set	
Art. No.	145284

All prices are recommended list prices. Errors, technical modifications and printing errors reserved.

Spare Parts SATAjet® 100 B

Art. No./Descr.
1826 Anti-drip device (packing unit 4 pieces)
3988 Paint strainer, 300 µm (packing unit 10 pieces)
6395 CCS Clips, green, blue, red, black packing unit 4 pieces)
15438 Paint needle packing
25874 O-ring
27243 0.6 l QCC reusable plastic cup, cpl.
49395 Screw-on lid for 0.6 l PVC cup with drip-catching ring and non-drip device
76018 Paint strainer, 300 µm (packing unit 100 pieces)
76026 Paint strainer, 300 µm (packing unit 500 pieces)
78154 Closing cap
89771 Spindle, cpl., f. round / flat spray control SATAjet 2000 HVLP
91959 Air piston rod
130492 Trigger kit
133926 Trigger sleeve kit
133934 Sealing (packing unit 3 pieces) for spindle
133942 Seal retainer, cpl.
133959 Pressure spring (3 pieces) for paint needle and air piston
133967 Adjustment screw (packing unit 3 pieces) for air micrometer
133983 Air connection piece 1/4" male thread
133991 Air piston head (packing unit 3 pieces)
139188 Material flow control with counter nut
139964 Air micrometer
140574 Control knob with screw
140582 Sealing element (packing unit 5 pieces) for fluid tip
143230 Air distribution ring (packing unit 3 pieces)



All prices are recommended list prices. Errors, technical modifications and printing errors reserved.

Art. No./Descr.
9050 Tool kit
· Extraction tool
· Paint strainer
· Cleaning brush
· Allen wrench 2 mm width
· Allen wrench 4 mm width
· Universal spanner

Art. No./Descr.
130542 Repair kit
92759 Air piston service unit
○ 183780 Sealing kit



SATAmijet® 4400 B RP®/HVLP



SATAmijet 4400 B RP / RP SR							
Technical Data		Inlet pressure: 0.5 bar - 2.5 bar					
	Air consumption at 2.5 bar: 200 NI/min						
	Spray distance: 12 cm - 19 cm						
Nozzle	0,5	1,4	1,6	0,8 SR	1,0 SR	1,2 SR	
Standard / Spot Repair with 125 ccm QQC reusable plastic gravity flow cup							
Art. No.	202416	198234	198242	198200	198218	198226	
Spot repair with RPS disposable cup 0.3 l (2x)							
Art. No.	-	-	-	202390	198358	198366	
Nozzle	0,5	1,4	1,6	0,8 SR	1,0 SR	1,2 SR	
Nozzle set							
Art. No.	202408	201319	201327	201285	201293	201301	

SATAmijet 4400 B HVLP / HVLP SR										
Technical Data		Inlet pressure: 0.5 bar - 2.0 bar								
	Air consumption at 2.0 bar: 120 NI/min									
	Spray distance: 12 cm - 15 cm									
Nozzle	0,3	0,5	0,8	1,0	1,1	0,8 SR	1,0 SR	1,2 SR	1,4 SR	
Standard / Spot Repair with 125 ccm QQC reusable plastic gravity flow cup										
Art. No.	197970	197988	197996	198002	198010	198069	198077	198085	198093	
Standard / Spot Repair with RPS disposable cup 0.3 l (2x)										
Art. No.	-	-	-	-	-	198168	198176	198184	198192	
Nozzle	0,3	0,5	0,8	1,0	1,1	0,8 SR	1,0 SR	1,2 SR	1,4 SR	
Nozzle set										
Art. No.	201194	201202	201210	201228	201236	201244	201251	201269	201277	
198382	SATA design set with SATAmijet 4400 B HVLP 1.0									

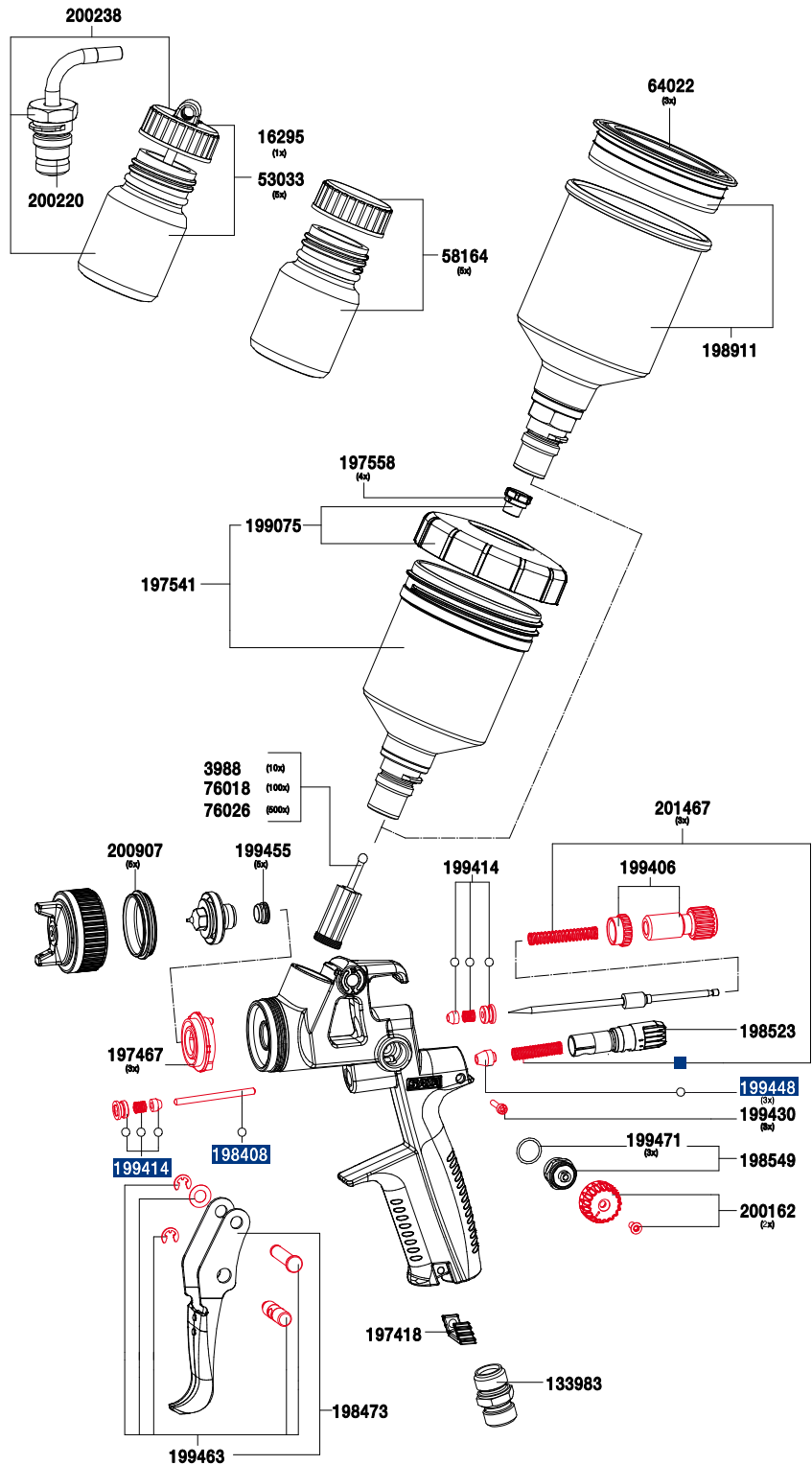


Spray fan comparison			
SATAmijet 4400 B HVLP SATAmijet 4400 B RP for standard applications		SATAmijet 4400 B HVLP SR SATAmijet 4400 B RP SR especially for spot repair applications:	
1.1 HVLP (at 2.0 bar) Spray distance 15 cm	1.6 RP (at 2.5 bar) Spray distance 17 cm	1.2 HVLP SR (at 2.0 bar) Spray distance 15 cm	1.2 RP SR (at 2.5 bar) Spray distance 17 cm
 Wet core 15.5 cm	 Wet core 17.5-18.5 cm	 Wet core 19.5 cm	 Wet core 21-22 cm

All prices are recommended list prices. Errors, technical modifications and printing errors reserved.

Spare parts SATAmijnjet® 4400 B

Art. No./Descr.
3988
Paint strainer, 300 µm (packing unit 10 pieces)
16295
25 ml glass cup with plug-in cup
53033
25 ml glass cup with plug-in cup (packing unit 5 pieces)
58164
25 ml glass cup with blind lid (packing unit 5 pieces)
64022
Plastic lid (3 pieces)
76018
Paint strainer, 300 µm (packing unit 100 pieces)
76026
Paint strainer, 300 µm (packing unit 500 pieces)
133983
Air connection piece 1/4" male thread
197418
CCS Clips, green, blue, red, black (packing unit 4 pieces)
197467
Air distribution ring (packing unit 3 pieces)
197541
0.125 l QCC reusable plastic cup, cpl.
197558
Anti-drip device (packing unit 4 pieces)
198408
Air piston rod
198473
Trigger kit
198523
Air micrometer
198549
Spindle for round / flat spray control
198911
0.15 l QCC reusable aluminium cup, cpl.
199075
Screw cap with drip catcher ring and anti-drip device
199406
Material flow control with counter nut
199414
Packing for paint needle and air piston rod
199430
Adjustment screw (packing unit 3 pieces) for air micrometer
199448
Air piston head (packing unit 3 pieces)
199455
Sealing element (packing unit 5 pieces) for fluid tip
199463
Trigger sleeve kit
199471
Gasket (packing unit 3 pieces) for spindle
201467
Pressure spring (each 3 pieces) for paint needle and air piston
200162
Control knob with screw (each 2 pieces)
200220
Plug-in cup connection with QCC
200238
25 ml glass cup with plug-in lid (packing unit 5 pieces) and QCC plug-in connection (packing unit 1 piece)
200907
Sealing ring (packing unit 5 pieces)



All prices are recommended list prices. Errors, technical modifications and printing errors reserved.

Art. No./Descr.
198572
Tool kit
· Universal spanner
· Combi tool
· Cleaning brush
· Paint strainer
· Extraction tool

Art. No./Descr.
198614
Repair kit
199422
Air piston service unit
○ 200246
Sealing kit

SATAmijet® 3000 B HVLP



replaced by
**SATAmijet
4400 B**

SATAmijet 3000 B HVLP

Technical Data

Inlet pressure: 2.0 bar



Air consumption at 2.0 bar: 115 NI/min

Spray distance: 12 cm - 15 cm



Nozzle	0,3	0,5	0,8	1,0	1,1	0,8 SR	1,0 SR	1,2 SR	1,4 SR
--------	-----	-----	-----	-----	-----	--------	--------	--------	--------

Nozzle set standard

Art. No.	125583	125591	125609	125617	125625		
----------	--------	--------	--------	--------	--------	--	--

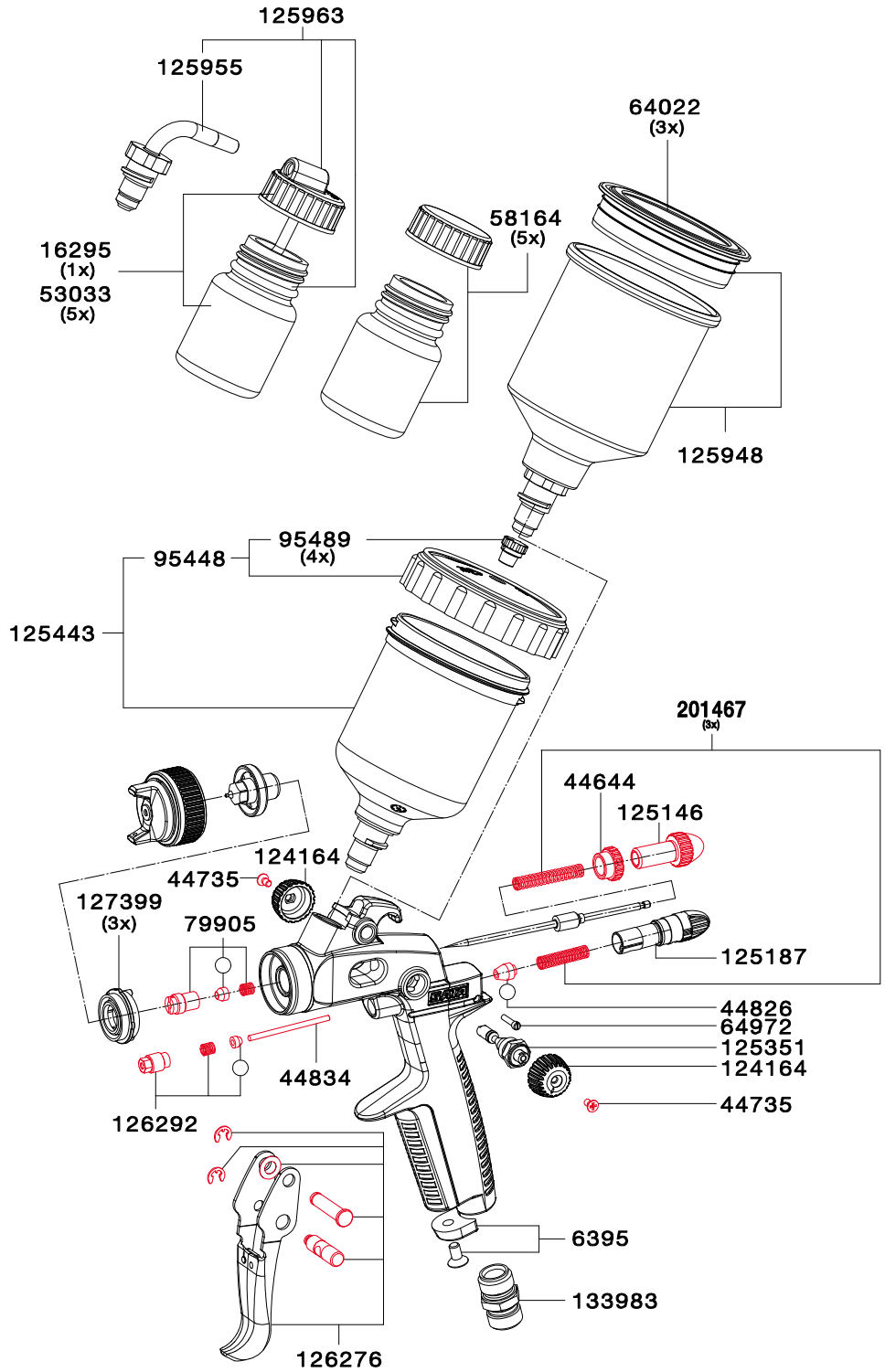
Nozzle set SR

Art. No.						125682	125690	125708	125716		
----------	--	--	--	--	--	--------	--------	--------	--------	--	--

All prices are recommended list prices. Errors, technical modifications and printing errors reserved.

Spare Parts SATAmijet® 3000 B HVLP

Art. No./Descr.
6395 CCS Clips, green, blue, red, black packing unit 4 pieces)
44644 Counter nut
44735 Countersunk screw M 2.5 x 5, VA
44826 Air piston head
44834 Air piston rod
53033 25 ml glass cup with plug-in cup (packing unit 5 pieces)
58164 25 ml glass cup with blind lid (packing unit 5 pieces)
64022 Plastic lid (3 pieces)
64972 Adjustment screw for air micrometer
79905 Paint needle packing
95448 Screw-on lid 125 ccm PVC cup with anti-drip device
95489 Anti-drip device (4 pieces)
124164 Control knob
125146 Material flow control screw
125187 Air micrometer
125351 Spindle SATAmijet 3000 B HVLP, minijet 4 HVLP
125443 0.125 l QCC reusable plastic cup, cpl.
125948 0.15 l QCC reusable aluminium cup, cpl.
125955 Plug-in cup connection with QCC SATAjet 20 B, dekor 2000, minijet 3000 B HVLP, minijet 4 HVLP
125963 25 ml glass cup with plug-in lid (packing unit 5 pieces) and QCC plug-in connection (packing unit 1 piece)
126276 Trigger kit
126292 Packing kit air piston rod SATAmijet 3000 B HVLP, minijet 4 HVLP
127399 Air distribution ring (packing unit 3 pieces)
133983 Air connection piece 1/4" male thread
201467 Pressure spring (each 3 pieces) for paint needle and air piston



All prices are recommended list prices. Errors, technical modifications and printing errors reserved.


Art. No./Descr.
125856 Tool kit
<ul style="list-style-type: none"> · Extraction tool · Cleaning brush · Wrench · Universal spanner

Art. No./Descr.
126284 Repair kit
<input type="radio"/> 50658 Sealing kit

SATAmijet® 1000 K RP®/HVLP



SATAmijet 1000 K RP


Technical Data 	Inlet pressure: 2.5 bar
	Air consumption at 2.5 bar: 200 NI/min
	Spray distance: 17 cm - 21 cm
	Material connection: 1/4" male thread

Nozzle	0,3	0,5	0,8	1,0	1,2	1,4
---------------	-----	-----	-----	-----	-----	-----

Spray gun							
Art. No.	187450	187468	187476	187484	187492	197152	

Nozzle set							
Art. No.	187625	187633	187641	187658	187666	197160	

SATAmijet 1000 K HVLP

Technical Data 	Inlet pressure: 2.5 bar
	Air consumption at 2.0 bar: 120 NI/min
	Spray distance: 10 cm - 15 cm
	Material connection: 1/4" male thread



Nozzle	0,3	0,5	0,8	1,0	1,2
---------------	-----	-----	-----	-----	-----

Spray gun							
Art. No.	190280	190298	190306	190314	190322		

Nozzle set							
Art. No.	190348	190355	190363	190371	190389		



Required Accessories

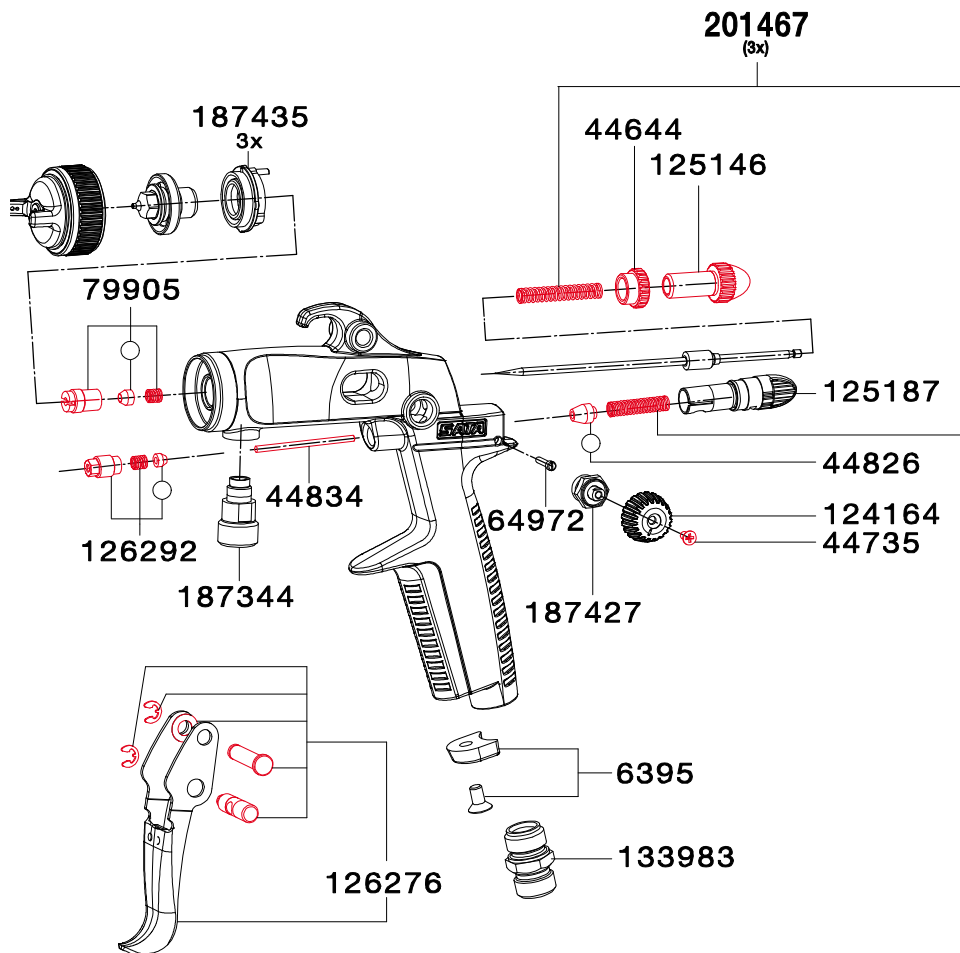
187419	SATA paint tube G 1/4 female thread - 1/4" male thread	
187690	SATA paint strainer 60 msh, 1/4" (male thread)	
199018	SATA paint tube G 1/4" (female thread) - 3/8" (male thread)	

Further accessories as well as material and air connections see page 51.

All prices are recommended list prices. Errors, technical modifications and printing errors reserved.

Spare Parts SATAminijet® 1000 K

Art. No./Descr.
6395 CCS Clips, green, blue, red, black packing unit 4 pieces)
44644 Counter nut
44735 Countersunk screw M 2.5 x 5, VA
44826 Air piston head
44834 Air piston rod
64972 Adjustment screw for air micrometer
79905 Paint needle packing
124164 Control knob
125146 Material flow control screw
125187 Air micrometer
126276 Trigger kit
126292 Packing kit air piston rod SATAminijet 3000 B HVLP, minijet 4 HVLP
133983 Air connection piece 1/4" male thread
187344 Material connection, stainless steel
187427 Spindle for round/flat control
187435 Air distribution ring (packing unit 3 pieces)
201467 Pressure spring (each 3 pieces) for paint needle and air piston



All prices are recommended list prices. Errors, technical modifications and printing errors reserved.


Art. No./Descr.
125856 Tool kit
<ul style="list-style-type: none"> · Extraction tool · Cleaning brush · Wrench · Universal spanner

Art. No./Descr.
126284 Repair kit
<input type="checkbox"/> 50658 Sealing kit

SATAmijet® 1000 H RP®/HVLP



SATAmijet 1000 H RP without cup

Technical Data	Inlet pressure: 2.5 bar
	Air consumption at 2.5 bar: 200 NI/min
	Spray distance: 17 cm - 21 cm
	Material connection: 1/4" male thread

Nozzle 1,4


Spray gun without cup

Art. No.	187682
-----------------	--------

Nozzle set

Art. No.	187674
-----------------	--------

SATAmijet 1000 H HVLP without cup

Technical Data	Inlet pressure: 2.0 bar
	Air consumption at 2.0 bar: 120 NI/min
	Spray distance: 10 cm - 15 cm
	Material connection: 1/4" male thread

Nozzle 1,4



Spray gun without cup

Art. No.	191502
-----------------	--------

Nozzle set

Art. No.	191494
-----------------	--------

Required Accessories

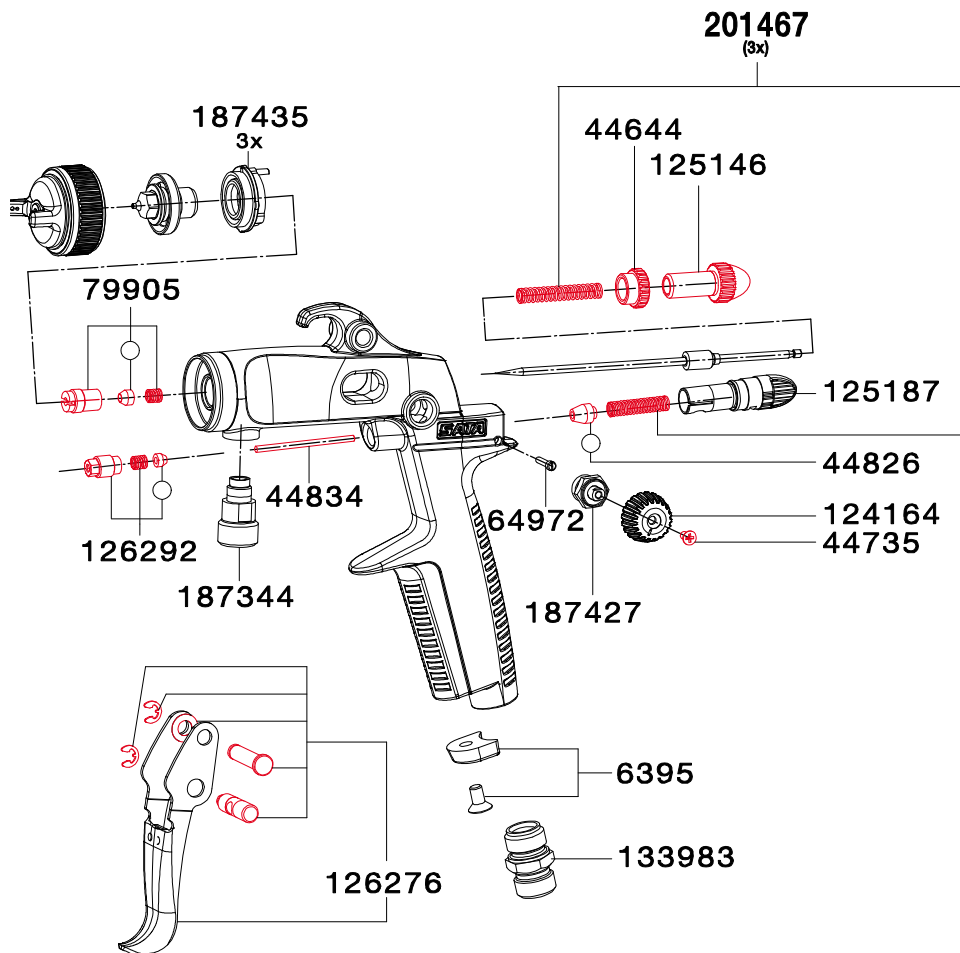
188318	RPS-Adapter No. 17 with QCC and connectionG 1/4" (female thread)	
188482	RPS Suction cup kit for 0.3 l consisting of each 25 pins, suction hose and sieve	
188516	RPS Suction cup kit for 0.3 l consisting of each 50 pins, suction hose and sieve	
188490	RPS Suction cup kit for 0.6 l consisting of each 25 pins, suction hose and sieve	
188524	RPS Suction cup kit for 0.6 l consisting of each 50 pins, suction hose and sieve	
188508	RPS Suction cup kit for 0.9 l consisting of each 25 pins, suction hose and sieve	
188532	RPS Suction cup kit for 0.9 l consisting of each 50 pins, suction hose and sieve	

SATA RPS disposable cup systems see page 64.

All prices are recommended list prices. Errors, technical modifications and printing errors reserved.

Spare Parts SATAminijet® 1000 H

Art. No./Descr.
6395 CCS Clips, green, blue, red, black packing unit 4 pieces)
44644 Counter nut
44735 Countersunk screw M 2.5 x 5, VA
44826 Air piston head
44834 Air piston rod
64972 Adjustment screw for air micrometer
79905 Paint needle packing
124164 Control knob
125146 Material flow control screw
125187 Air micrometer
126276 Trigger kit
126292 Packing kit air piston rod SATAminijet 3000 B HVLP, minijet 4 HVL
133983 Air connection piece 1/4" male thread
187344 Material connection, stainless steel
187427 Spindle for round/flat control
187435 Air distribution ring (packing unit 3 pieces)
201467 Pressure spring (each 3 pieces) for paint needle and air piston



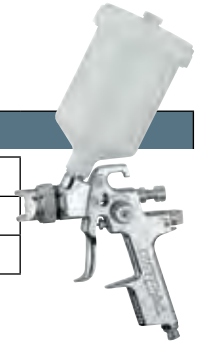
All prices are recommended list prices. Errors, technical modifications and printing errors reserved.

Art. No./Descr.
125856 Tool kit
· Extraction tool
· Cleaning brush
· Wrench
· Universal spanner


Art. No./Descr.
126284 Repair kit
○ 50658 Sealing kit



SATAjet® B (SATAjet® GR)



SATAjet B

	Technical Data	Inlet pressure: 4.0 bar
		Air consumption at 4.0 bar: 350 NI/min
		Spray distance: 18 cm - 23 cm

Nozzle	1,0 E	MSB	1,4 E	1,5 E	1,7 E	2,0 W
---------------	-------	-----	-------	-------	-------	-------

Spray gun with 0.6 l QCC reusable plastic gravity flow cup **without** swivel joint

Art. No.	3202	3236	3228	3244	3251	3269	
-----------------	------	------	------	------	------	------	--

Spray gun with 0.6 l QCC reusable PVC gravity flow cup **with** swivel joint


Art. No.	-	58859	54494	88179	89003	74161	
-----------------	---	-------	-------	-------	-------	-------	--

Nozzle	1,0 E	MSB	1,4 E	1,5 E	1,7 E	2,0 W
---------------	-------	-----	-------	-------	-------	-------

Nozzle set

Art. No.	4143	4127	3848	4119	4101	4093	
-----------------	------	------	------	------	------	------	--

SATAjet GR

	Technical Data	Inlet pressure: 4.0 bar
		Air consumption at 4.0 bar: 350 NI/min
		Spray distance: 18 cm - 23 cm

Nozzle	1,3 W	1,5 W	1,7 W	2,0 W	2,5 W	3,0 W
---------------	-------	-------	-------	-------	-------	-------

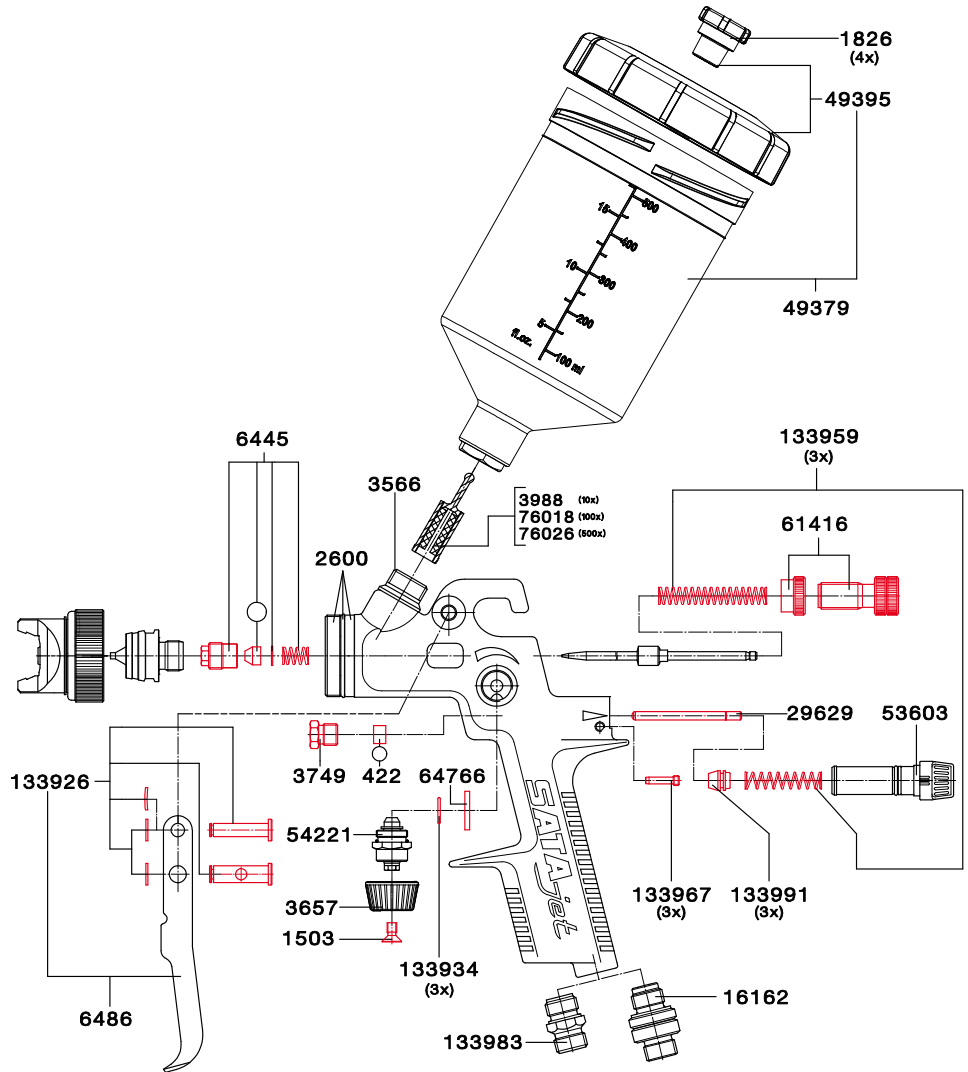
Nozzle set

Art. No.	31252	31898	31997	4093	13003	13011	
-----------------	-------	-------	-------	------	-------	-------	--

All prices are recommended list prices. Errors, technical modifications and printing errors reserved.

Spare Parts SATAjet® B (SATAjet® GR)

Art. No./Descr.
422
Gasket for paint needle
1503
Countersunk screw M4 x 8 DIN 965, stainless steel, for micrometer und round/flat spray control
1826
Anti-drip device (packing unit 4 pieces)
2600
Service unit for nozzle insert for SATAjet/B, H, K and NR 92, consisting of nozzle insert, distribution plate and sealing ring
3566
Inlet nipple
3657
Control knob
3749
Stuffing box for air piston SATAjet, KL, HKD and MC-B
3988
Paint strainer, 300 µm (packing unit 10 pieces)
6445
Paint needle packing
6486
Trigger kit
16162
Swivel joint
29629
Air piston rod
49379
0.6 l reusable plastic cup, cpl.
49395
Screw-on lid for 0.6 l PVC cup with drip-catching ring and non-drip device
53603
Air micrometer
54221
Spindle complete, for SATAjet/90, SATAjet, regulation valve and MC-B
61416
Material flow control with counter nut
64766
Washer
76018
Paint strainer, 300 µm (packing unit 100 pieces)
76026
Paint strainer, 300 µm (packing unit 500 pieces)
133926
Trigger sleeve kit
133934
Sealing (packing unit 3 pieces) for spindle
133959
Pressure spring (3 pieces) for paint needle and air piston
133967
Adjustment screw (packing unit 3 pieces) for air micrometer
133983
Air connection piece 1/4" male thread
133991
Air piston head (packing unit 3 pieces)



All prices are recommended list prices. Errors, technical modifications and printing errors reserved.

Art. No./Descr.
9654
Tool kit
· Paint strainer
· Cleaning brush
· Socket wrench 7 mm width
· Internal hexagonal wrench 2/4 mm width
· Universal spanner

Art. No./Descr.
69666
Repair kit
<input type="radio"/> 9829
Sealing kit

SATAjet® H



SATAjet H

Technical Data



Inlet pressure: 4.0 bar
 Air consumption at 4.0 bar: 380 NI/min
 Spray distance: 18 cm - 23 cm

Nozzle	1,5	MSH	2,0
---------------	-----	-----	-----

Spray gun with 1.0 l aluminium siphon cup



Art. No.	23721	23747	-
-----------------	-------	-------	---

Nozzle	1,5	MSH	2,0
---------------	-----	-----	-----

Nozzle set

Art. No.	23663	23697	23689
-----------------	-------	-------	-------

Required Accessories

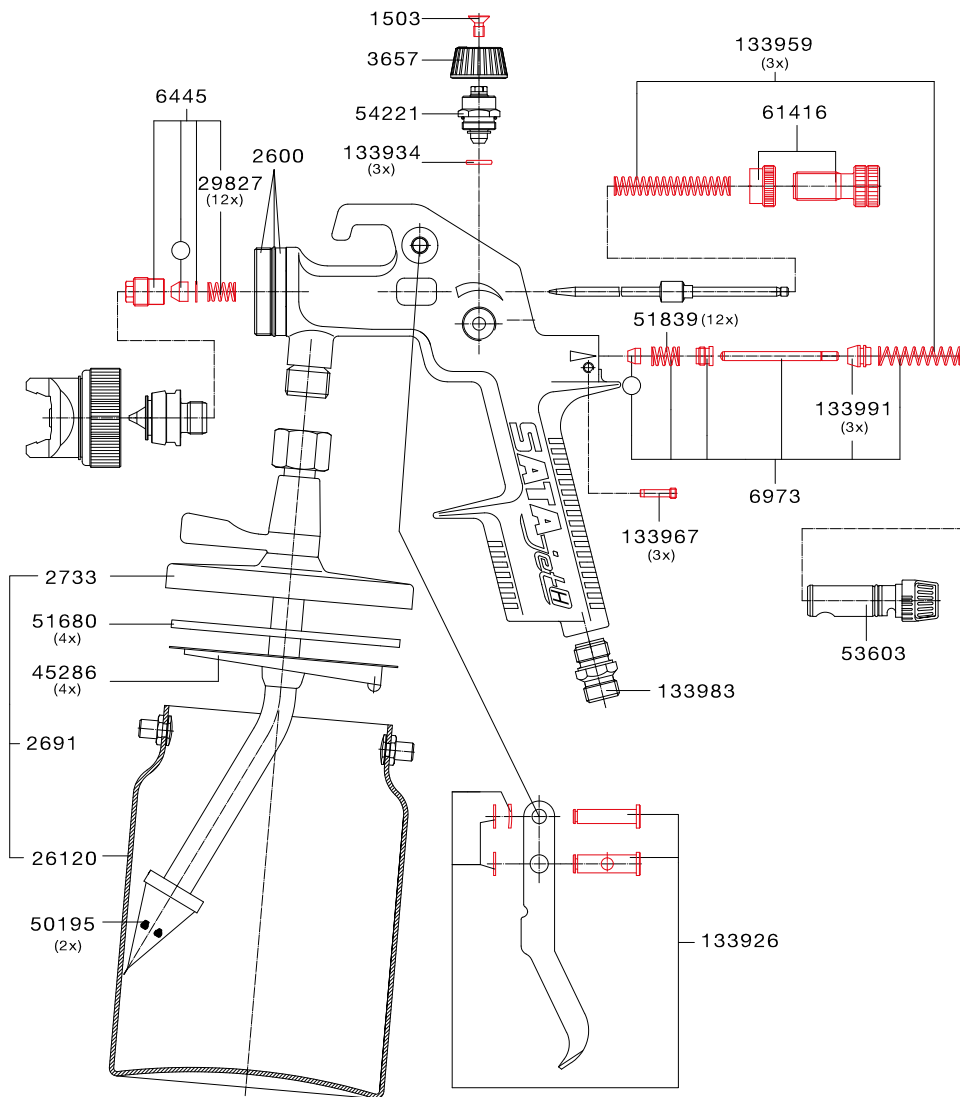
188292	RPS-Adapter No. 16 with QCC and connection G 3/8" (female thread)	
188482	RPS Suction cup kit for 0.3 l consisting of each 25 pins, suction hose and sieve	
188516	RPS Suction cup kit for 0.3 l consisting of each 50 pins, suction hose and sieve	
188490	RPS Suction cup kit for 0.6 l consisting of each 25 pins, suction hose and sieve	
188524	RPS Suction cup kit for 0.6 l consisting of each 50 pins, suction hose and sieve	
188508	RPS Suction cup kit for 0.9 l consisting of each 25 pins, suction hose and sieve	
188532	RPS Suction cup kit for 0.9 l consisting of each 50 pins, suction hose and sieve	

SATA RPS disposable cup systems see page 64.

All prices are recommended list prices. Errors, technical modifications and printing errors reserved.

Spare Parts SATAjet® H

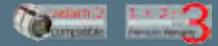
Art. No./Descr.
1503 Countersunk screw M4 x 8 DIN 965, stainless steel, for micrometer und round/flat spray control
2600 Service unit for nozzle insert for SATAjet/B, H, K and NR 92, consisting of nozzle insert, distribution plate and sealing ring
2691 1.0 l aluminium suction cup, cpl.
2733 Lid fitting
3657 Control knob
6445 Paint needle packing
6973 Air piston servicing unit
26120 1.0 l aluminium suction cup, ohne Deckel
45286 Anti-drip device (pack of 4 pieces)
50195 Strainer (packing unit 2 pieces)
51680 Sealing ring (packing unit 4 pieces)
51839 Pressure spring (packing unit 12 pieces) for air piston packing
53603 Air micrometer
54221 Spindle complete, for SATAjet/90, SATAjet, regulation valve and MC-B
61416 Material flow control with counter nut
133926 Trigger sleeve kit
133934 Sealing (packing unit 3 pieces) for spindle
133959 Pressure spring (3 pieces) for paint needle and air piston
133967 Adjustment screw (packing unit 3 pieces) for air micrometer
133983 Air connection piece 1/4" male thread
133991 Air piston head (packing unit 3 pieces)



All prices are recommended list prices. Errors, technical modifications and printing errors reserved.

Art. No./Descr.
9654 Tool kit
· Paint strainer
· Cleaning brush
· Socket wrench 7 mm width
· Internal hexagonal wrench 2/4 mm width
· Universal spanner

Art. No./Descr.
70623 Repair kit
○ 50666 Sealing kit



SATA® spray master RP®



SATA spray master RP

Technical Data

Inlet pressure: 3.0 bar



Air consumption: 230 NI/min

Nozzle	SM	1,7	2,0
---------------	----	-----	-----

Spray gun with 0.7 l pressurised cup, pressure gauge and reducing valve

Art. No.	72900	73734	74120	
-----------------	-------	-------	-------	--

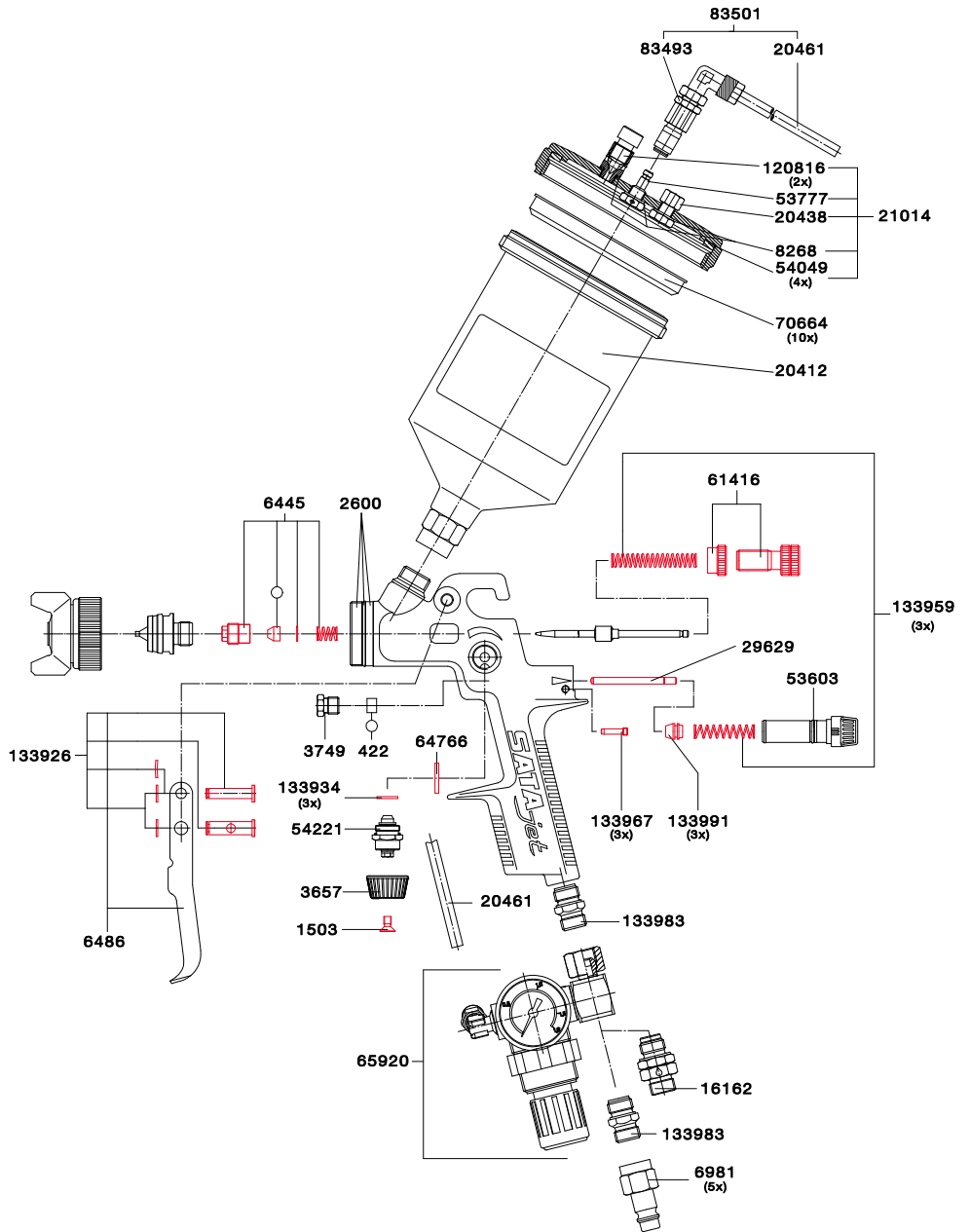
Nozzle set

Art. No.	77982	73791	78279	
-----------------	-------	-------	-------	--

All prices are recommended list prices. Errors, technical modifications and printing errors reserved.

Spare Parts SATA® spray master RP®

Art. No./Descr.
422
Gasket for paint needle
1503
Countersunk screw M4 x 8 DIN 965, stainless steel, for micrometer und round/flat spray control
2600
Service unit for nozzle insert for SATAjet/B, H, K and NR 92, consisting of nozzle insert, distribution plate and sealing ring
3657
Control knob
3749
Stuffing box for air piston SATAjet, KL, HKD and MC-B
6445
Paint needle packing
6486
Trigger kit
6981
SATA quick coupling nipple G 1/4" (female thread) (packing unit 5 pieces)
8268
Sealing ring
16162
Swivel joint
20412
0.7 l pressure pot, aluminium without lid
20438
Safety pressure relief valve BVD
20461
Plastic air hose for BVD and agitator cup
21014
Aluminium lid, cpl.
29629
Air piston rod
53603
Air micrometer
53777
Air connection for aluminium lid
54049
Sealing ring (packing unit 4 pieces)
54221
Spindle complete, for SATAjet/90, SATAjet, regulation valve and MC-B
61416
Material flow control with counter nut
64766
Washer
65920
Control fittings, complete, for BVD pressurized cup connection kit (GR and LM)
70664
Anti-drip device (packing unit 10 pieces)
83493
Connection for pressurised cup, cpl.
83501
Air hose cpl. w. pressurized cup connection, for SATA Spray-Master
120816
Pressure release screw (packing unit 2 pieces)
133926
Trigger sleeve kit
133934
Sealing (packing unit 3 pieces) for spindle
133959
Pressure spring (3 pieces) for paint needle and air piston
133967
Adjustment screw (packing unit 3 pieces) for air micrometer
133983
Air connection piece 1/4" male thread
133991
Air piston head (packing unit 3 pieces)



All prices are recommended list prices. Errors, technical modifications and printing errors reserved.

Art. No./Descr.
9654
Tool kit
· Paint strainer
· Cleaning brush
· Socket wrench 7 mm width
· Internal hexagonal wrench 2/4 mm width
· Universal spanner



Art. No./Descr.
70623
Repair kit
○ 9829
Sealing kit

SATAjet® 20 B



SATAjet 20 B

	Technical Data	Inlet pressure: 1.0 bar
		Air consumption at 1.5 bar: 40 NI/min
		Spray distance: variable

Nozzle	0,2 fineline	0,2	0,35	0,5	0,8	1,0
---------------	--------------	-----	------	-----	-----	-----

Spray gun with 65 ml PVC cup

Art. No.	–	65078	65581	65649	66316	69229	
Art. No.	189035						

Spray gun with 65 ml plastic cup, glass plug-on cup and 3 glass jars with blank lid

Art. No.	–	86181	86199	86207	86215	86223	
-----------------	---	-------	-------	-------	-------	-------	--

Nozzle	0,2 fineline	0,2	0,35	0,5	0,8	1,0
---------------	--------------	-----	------	-----	-----	-----

Nozzle set

Art. No.	–	60459	60640	61200	61341	61523	
Art. No.	189043						

Line thicknesses SATAjet 20 B

0.2 mm		Nozzle set fineline 0.2
0.6 mm		Nozzle set 0.2
0.8 mm		Nozzle set 0.35
1.1 mm		Nozzle set 0.5
1.5 mm		Nozzle set 0.8
1.9 mm		Nozzle set 1.0

SATA jet 20 B design set

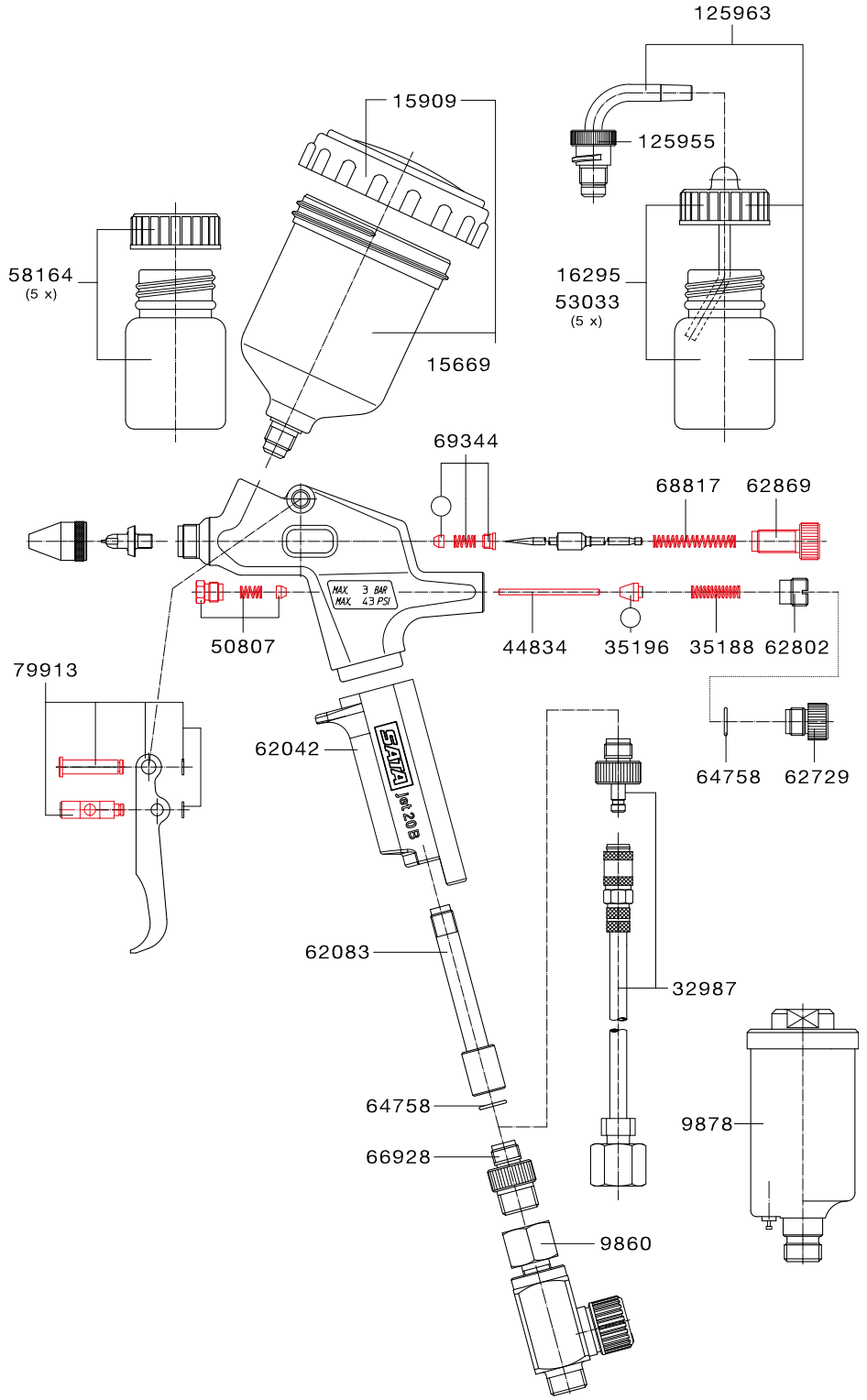
90381	SATAjet 20 B design set 0.5 with accessories in case Contains: various cup versions such as plastic cup, plug-in cup, glass cup, cleaning kit, SATA air micrometer with pressure gauge, spray gun stand, tool kit, nozzle set, PVC compressed air hose.	
-------	--	--

Completely assembled air hoses see page 116.

All prices are recommended list prices. Errors, technical modifications and printing errors reserved.

Spare Parts SATAjet® 20 B

Art. No./Descr.
9860 SATA air micrometer 0-845, 1/4" (male thread) and G 1/4" (female thread)
9878 SATA mini filter 1/4" (male thread)
15669 65 ml PVC reusable cup, cpl.
15909 PVC screw-on lid 65 ccm PVC cup SATAjet 20 B, dekor 2000
16295 25 ml glass cup with plug-in cup
32987 SATA PVC compressed air hose, transparent, 3 m long with G 1/4" (female thread), mini quick coupling and nipple
35188 Pressure spring for air piston
35196 Air piston head
44834 Air piston rod
50807 Service unit air piston rod SATAjet 20 B, dekor 2000, minijet 3 HVLP
53033 25 ml glass cup with plug-in cup (packing unit 5 pieces)
58164 25 ml glass cup with blind lid (packing unit 5 pieces)
62042 Spray gun handle SATAjet 20 B, dekor 2000
62083 Air pipe
62729 Closing screw SATAjet 20 B, dekor 2000
62802 Compression screw 1/8" (male thread)
62869 Material flow control screw
64758 O-ring
66928 Air connection 1/8" (male thread) - 1/4" (male thread)
68817 Pressure spring for paint needle
69344 Paint needle packing
79913 Trigger kit
125955 Plug-in cup connection with QCC SATAjet 20 B, dekor 2000, minijet 3000 B HVLP, minijet 4 HVLP
125963 25 ml glass cup with plug-in lid (packing unit 5 pieces) and QCC plug-in connection (packing unit 1 piece)




All prices are recommended list prices. Errors, technical modifications and printing errors reserved.

Art. No./Descr.
9373 Tool kit
· Cleaning brush
· Universal spanner
· Hexagonal screwdriver

Art. No./Descr.
91165 Repair kit
○ 69427 Sealing kit

SATAgaph™ 1/4/3

SATAgaph 1 - The Starter Model

Technical Data 	Inlet pressure: variable
	Air consumption: 10 NI/min
	Spray distance: variable




Nozzle 0,25 0,45

Each with aluminium case	
134544	SATAgaph 1 0.25 with 2.5 ml gravity flow cup, in aluminium case, without hose
139568	SATAgaph 1 0.25 with 5 ml suction cup, in aluminium case, without hose
141408	SATAgaph 1 0.45 with 5 ml suction cup, in aluminium case, without hose

Nozzle 0,25 0,45

Nozzle set	
Art. No.	134619 134635

SATAgaph 3 - Premium Airbrush for Professionals

Technical Data 	Inlet pressure: variable
	Air consumption: 10 NI/min
	Spray distance: variable




Nozzle 0,15 0,25 0,45 0,65

Each with aluminium case	
134551	SATAgaph 3 0.25 with 2.5 ml gravity flow cup, PVC air hose 3m with mini quick coupling and G 1/4" (female thread)
134569	SATAgaph 3 0.25 with 2.5 ml gravity flow cup, in aluminium case, without hose
134577	SATAgaph 3 0.25 with 5 ml siphon cup, PVC air hose 3 m with mini quick coupling and G 1/4" (female thread)
134585	SATAgaph 3 0.25 with 5 ml siphon cup, in aluminium case, without hose

Nozzle 0,15 0,25 0,45 0,65

Nozzle set	
Art. No.	134643 134650 134668 134676

SATAgaph 4* - Universal airbrush gun

Technical Data 	Inlet pressure: variable
	Air consumption: 10 NI/min
	Spray distance: variable



Nozzle 0,5

Each with aluminium case	
227629	SATAgaph 4 nozzle 0.5 with 7 ml standard cup
227637	SATAgaph 4 nozzle 0.5 with 7 ml side cup
227645	SATAgaph 4 nozzle 0.5 with 6 ml suction cup

Nozzle 0,5

Nozzle set	
Art. No.	227363

* SATAgaph 4 is supplied without hoses and quick coupling nipple. These components have to be ordered separately (see spare parts)

All prices are recommended list prices. Errors, technical modifications and printing errors reserved. Air hoses for design spray guns see page 116.

Spare parts SATAgraph™ 1/4/3

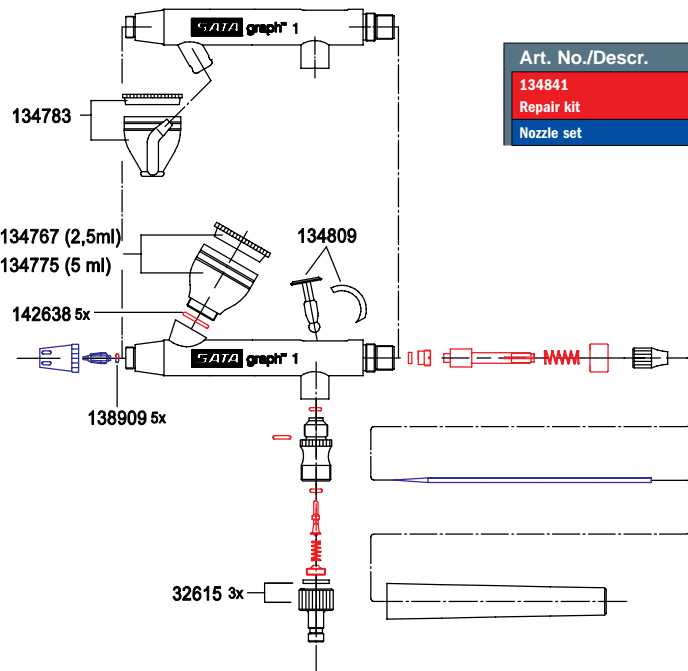
Art. No./Descr.

SATAgraph 1	
32615	Coupling nipple (packing unit 3 pieces)
134767	2.5 ml gravity flow cup, cpl.
134775	5 ml gravity flow cup, cpl.
134783	5 ml suction cup, cpl.
134809	Trigger
138909	O-ring (packing unit 5 pieces)
142638	O-Ring (packing unit 5 pieces)

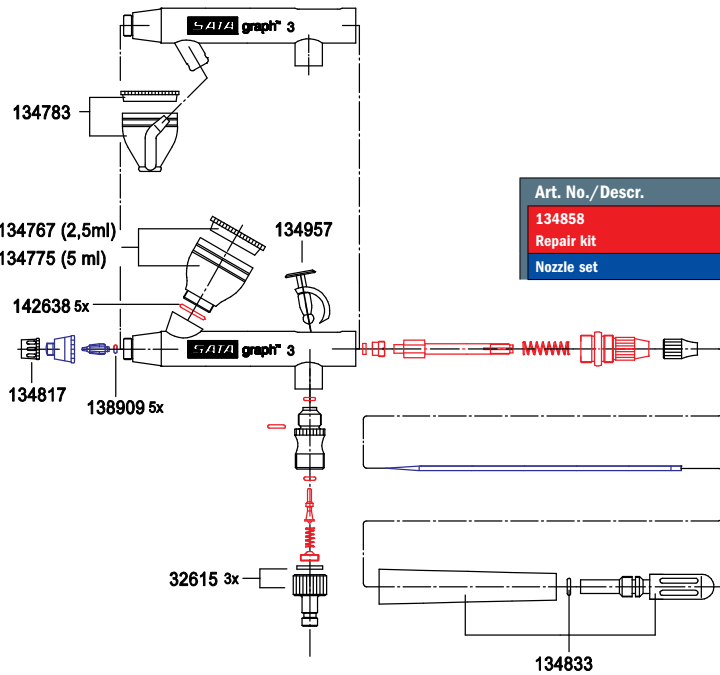
SATAgraph 3	
32615	Coupling nipple (packing unit 3 pieces)
134767	2.5 ml gravity flow cup, cpl.
134775	5 ml gravity flow cup, cpl.
134783	5 ml suction cup, cpl.
134817	Needle cap
134833	Grip end piece
134957	Trigger
138909	O-ring (packing unit 5 pieces)
142638	O-Ring (packing unit 5 pieces)

SATAgraph 4	
227108	Wrench for nozzle head
227116	O-Ring (packing unit 5 pieces)
227215	Trigger
227231	Handle end piece, complete
227249	Protection cap for paint needle
227256	23 ml glass cup, cpl.
227264	6 ml metal suction cup, cpl.
227272	7 ml metal side cup, cpl.
227280	Plug for material supply from the side, red
227306	Lid for metal paint cup, side cup and gravity flow cup version
227314	30 ml glass cup, cpl. with neutral lid
227322	30 ml glass cup, cpl.
227330	23 ml glass cup, cpl. with Fast Blast

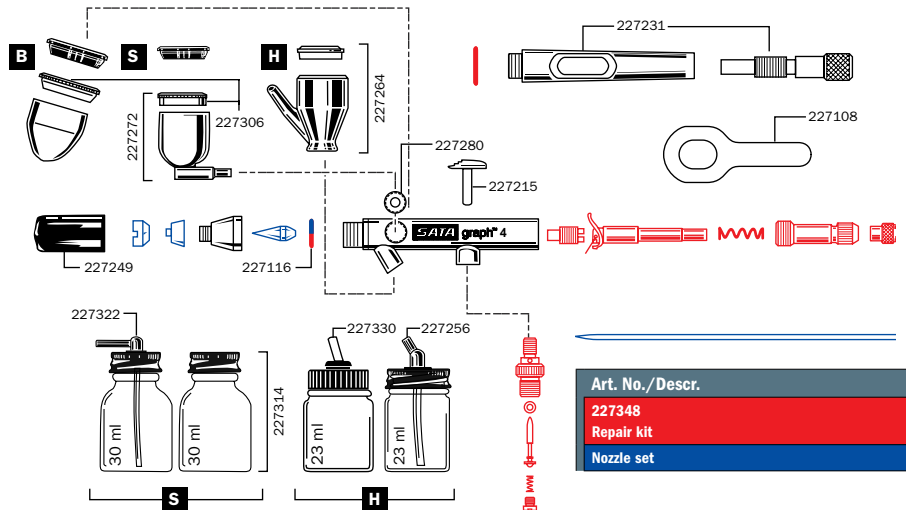
Hoses and nipples	
32615	Coupling nipple (packing unit 3 pieces)
32987	SATA PVC compressed air hose, transparent, 3 m long with G 1/4" (female thread), mini quick coupling and nipple
134791	SATA Fibre air hose, 2.5 m long with G 1/4" (female thread), mini quick coupling



Art. No./Descr.	
134841	Repair kit
	Nozzle set



Art. No./Descr.	
134858	Repair kit
	Nozzle set



Art. No./Descr.	
227348	Repair kit
	Nozzle set

All prices are recommended list prices. Errors, technical modifications and printing errors reserved.




Extensions SATAjet® 1000 K RP®, B RP®

Extensions SATAjet 1000 K RP			
154435	Extension with standard nozzle (0°), 20 cm with nozzle set 1.5 RP for SATAjet 1000 K RP		
154476	Extension with diagonal spray nozzle (30°), 20 cm with nozzle set 1.6 RP for SATAjet 1000 K RP		
154518	Extension with rotary nozzle (360°), 20 cm with nozzle set 1.6 RP for SATAjet 1000 K RP		
154559	Extension with angular head nozzle (90°), 20 cm with nozzle set 1.5 RP for SATAjet 1000 K RP		
Extensions SATAjet 1000 B RP			
154211	Extension with standard nozzle (0°), 20 cm with nozzle set 1.6 RP for SATAjet 1000 B RP		
154252	Extension with diagonal spray nozzle (30°), 20 cm with nozzle set 1.6 RP for SATAjet 1000 B RP		
196162	Extension with rotary nozzle (360°), 20 cm with nozzle set 1.6 RP for SATAjet 1000 B RP		
154294	Extension with angular head nozzle (90°), 20 cm with nozzle set 1.6 RP for SATAjet 1000 B RP		
178533	Extension with diagonal spray nozzle (30°), 40 cm with nozzle set 1.6 RP for SATAjet 1000 B RP		
185520	Extension with diagonal spray nozzle (30°), swivelling, 20 cm with nozzle set 1.6 RP for SATAjet 1000 B RP, preferably with BVD pressurised cup		

Further extensions are available upon request.

All prices are recommended list prices. Errors, technical modifications and printing errors reserved.

Accessories for SATA suction cup spray guns

Adapters for the use of SATA RPS with suction cup kit			
188318	RPS-Adapter No. 17 with QCC and connection G 1/4" (female thread) for SATAminijet 1000 H		
188292	RPS-Adapter No. 16 with QCC and connection G 3/8" (female thread) for SATAjet 1000 H		
Suction cup kit for SATAminijet 1000 H RP/HVLP, SATAjet 1000 H RP			
188482	RPS Suction cup kit for 0.3 l consisting of each 25 pins, suction hose and sieve		
188516	RPS Suction cup kit for 0.3 l consisting of each 50 pins, suction hose and sieve		
188490	RPS Suction cup kit for 0.6 l consisting of each 25 pins, suction hose and sieve		
188524	RPS Suction cup kit for 0.6 l consisting of each 50 pins, suction hose and sieve		
188508	RPS Suction cup kit for 0.9 l consisting of each 25 pins, suction hose and sieve		
188532	RPS Suction cup kit for 0.9 l consisting of each 50 pins, suction hose and sieve		

SATA RPS disposable cup systems see page 64.

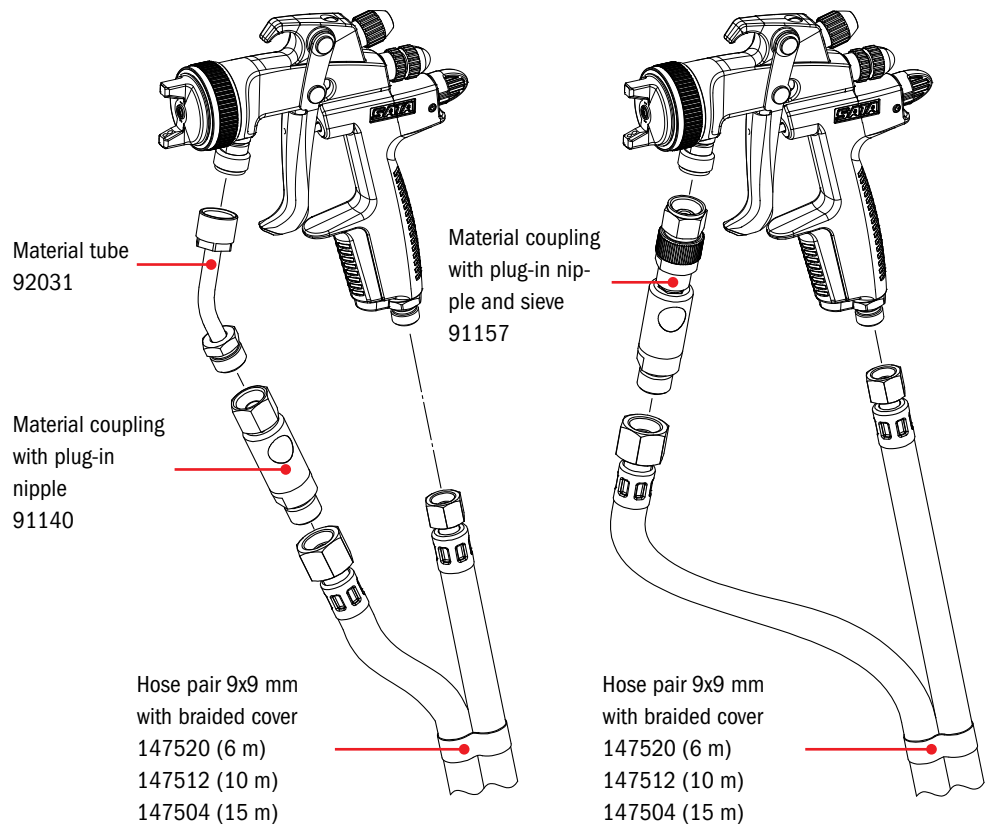
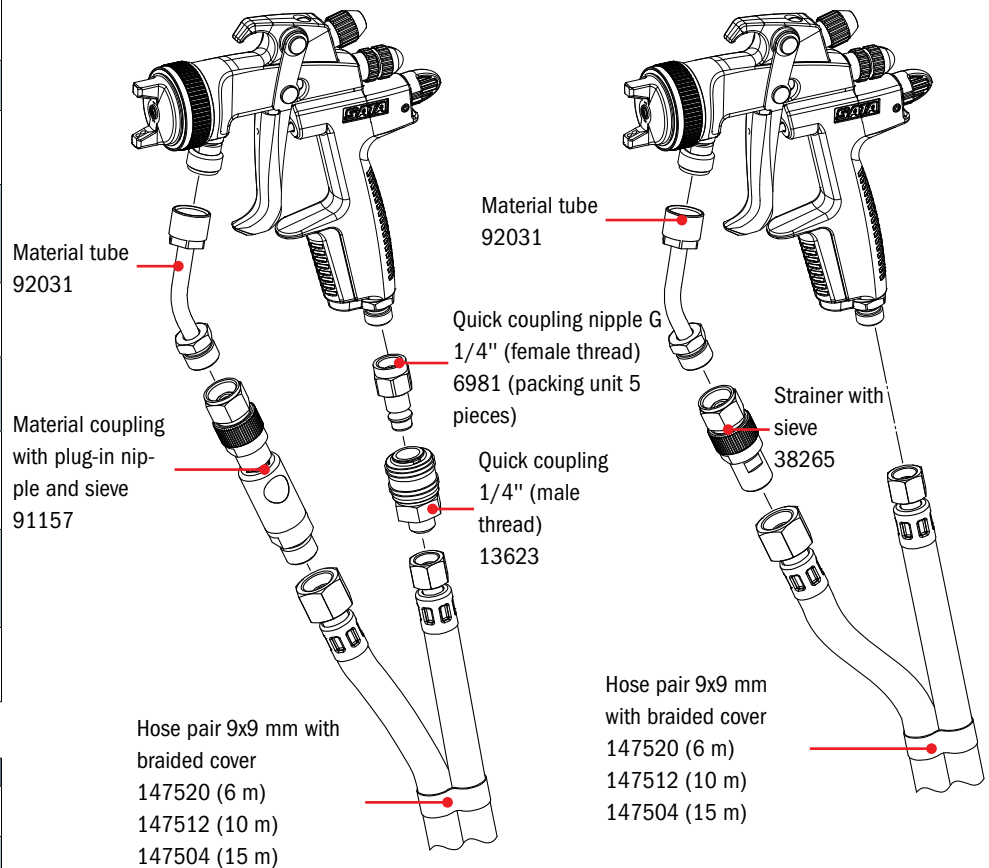
All prices are recommended list prices. Errors, technical modifications and printing errors reserved.

Material and air connection SATAJet® 3000 K, 1000 K

Art. No./Descr.
6981 SATA quick coupling nipple G 1/4" (female thread) (packing unit 5 pieces)
13623 SATA quick coupling 1/4" (male thread)
38265 SATA paint strainer 60 msh, G 3/8" (female thread) and 3/8" (male thread)
91140 SATA material coupling 3/8" (male thread) for SATA pressure fed spray guns with plug-in nipple G 3/8" (female thread)
91157 SATA material coupling 3/8" (male thread) with plug-in nipple G 3/8" (female thread) and material strainer 60 msh
92031 SATA material tube G 3/8" (female thread) - 3/8" (male thread)
147504 SATA hose pair 9 x 9 mm, 15 m, with covering fabric netting, G 3/8" and G 1/2" (material), G 1/4" (air) (female thread)
147512 SATA hose pair 9 x 9 mm, 10 m, with covering fabric netting, G 3/8" and G 1/2" (material), G 1/4" (air) (female thread)
147520 SATA hose pair 9 x 9 mm, 6 m, with covering fabric netting, G 3/8" and G 1/2" (material), G 1/4" (air) (female thread)

Spare sieves

Art. No./Descr.
12260 Sieve 60 msh (packing unit 4 pieces)
12278 Sieve, 100 msh (packing unit 4 pieces)
74856 Strainer kit: Sieve 200 msh (packing unit 4 pieces), strainer holder (packing unit 2 pieces), screw (packing unit 1 piece)



All prices are recommended list prices. Errors, technical modifications and printing errors reserved.

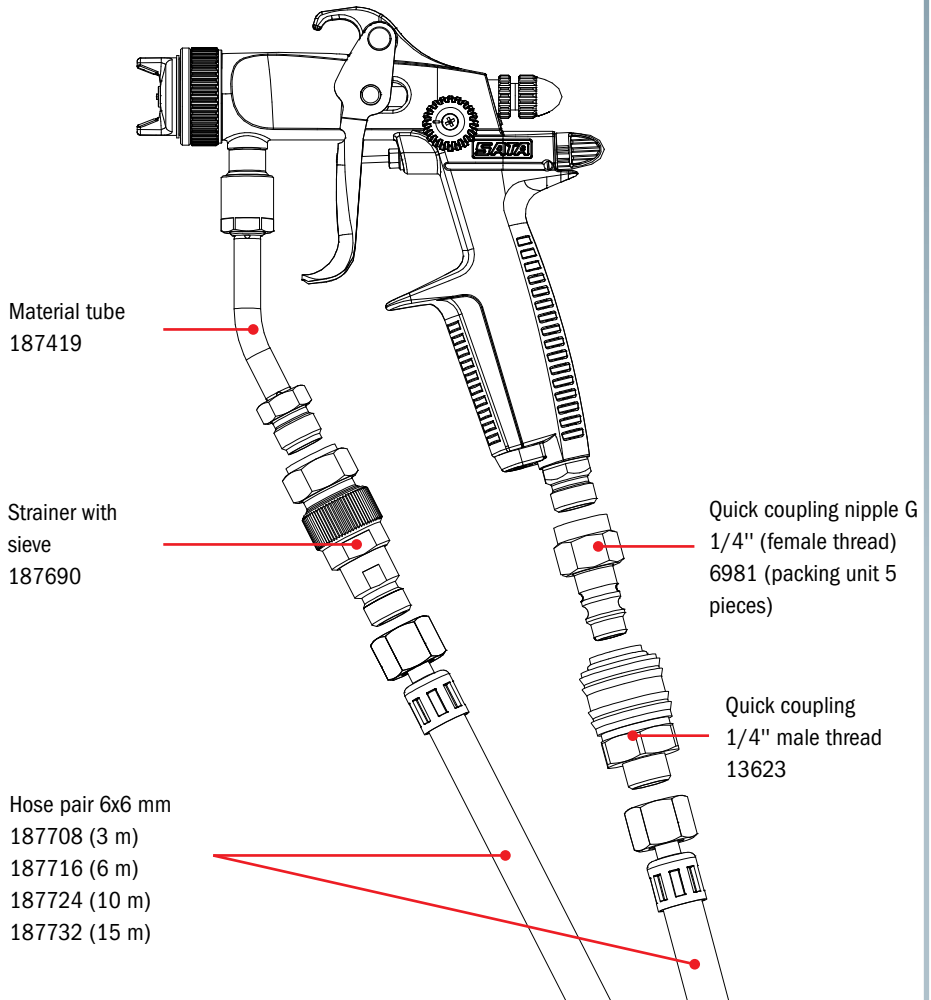
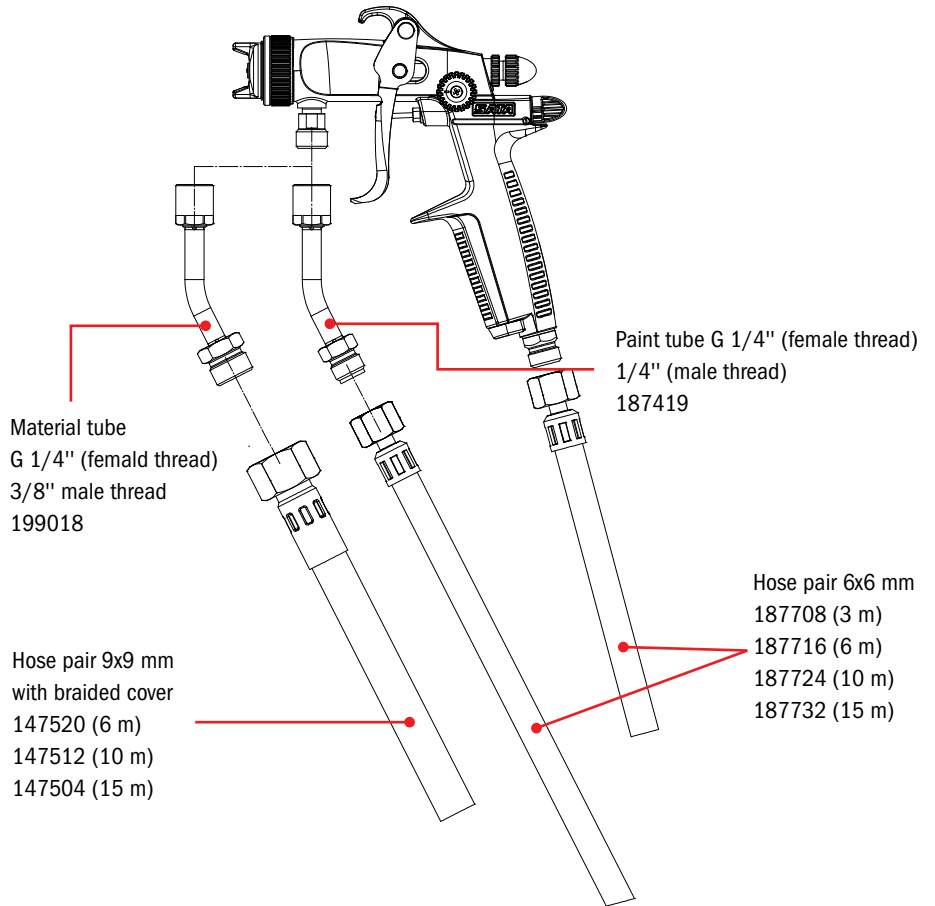
Material and air connection SATAminijet® 1000 K

Art. No./Descr.
6981 SATA quick coupling nipple G 1/4" (female thread) (packing unit 5 pieces)
13623 SATA quick coupling 1/4" (male thread)
147504 SATA hose pair 9 x 9 mm, 15 m, with covering fabric netting, G 3/8" and G 1/2" (material), G 1/4" (air) (female thread)
147512 SATA hose pair 9 x 9 mm, 10 m, with covering fabric netting, G 3/8" and G 1/2" (material), G 1/4" (air) (female thread)
147520 SATA hose pair 9 x 9 mm, 6 m, with covering fabric netting, G 3/8" and G 1/2" (material), G 1/4" (air) (female thread)
187419 SATA paint tube G 1/4 female thread - 1/4" male thread
187690 SATA paint strainer 60 msh, 1/4" (male thread)
187708 SATA hose pair 6 x 6 mm, 3 m, G 1/4" (female thread) (material and air)
187716 SATA hose pair 6 x 6 mm, 6 m, G 1/4" and G 1/2" (material), G 1/4" (air) (female thread)
187724 SATA hose pair 6 x 6 mm, 10 m, G 1/4" and G 1/2" (material), G 1/4" (air) (female thread)
187732 SATA hose pair 6 x 6 mm, 15 m, G 1/4" and G 1/2" (material), G 1/4" (air) (female thread)
199018 SATA paint tube G 1/4" (female thread) - 3/8" (male thread)

Spare sieves

Art. No./Descr.
12260 Sieve 60 msh (packing unit 4 pieces)
12278 Sieve, 100 msh (packing unit 4 pieces)
74856 Strainer kit: Sieve 200 msh (packing unit 4 pieces), strainer holder (packing unit 2 pieces), screw (packing unit 1 piece)

All prices are recommended list prices. Errors, technical modifications and printing errors reserved.





Nozzle Sets for Discontinued Gun Models

Nozzle sets of current models starting from page 12!

SATAjet 3000 B RP (DIGITAL) | discontinuation in 2019

Nozzle	1,0	1,1	1,2	1,3	1,4	1,6	1,8	2,0	2,5
Art. No.	132357	158667	132365	132373	132381	132399	132407	132415	132423

SATAjet 3000 B HVLP (DIGITAL) | discontinuation in 2019

Nozzle	1,0	1,2	WSB	1,3	1,4	1,5	1,7	1,9	2,2
Art. No.	132910	132928	132993	132936	132944	132951	132969	132977	132985

SATAjet RP (DIGITAL 2) | discontinuation in 2017

Nozzle	1,0	1,2	1,3	1,4	1,6	1,8	2,0	2,5
Art. No.	29587	14902	14910	14936	14977	97998	69880	69898

SATAjet 2000 HVLP (DIGITAL 2) | Discontinuation in 2016

Nozzle	1,0	1,2	WSB	1,3	1,4	1,5	1,7	1,9	2,2
Art. No.	82024	82057	9191	82073	82263	82420	90399	90407	90415

SATA LM 2000 B RP | discontinuation 2017

Nozzle	0,8	1,0	1,3	1,6	1,8	2,0	2,5	3,0	4,0	5,0
Art. No.	26690	26716	26724	26732	26740	26757	26765	26781		
Art. No.									26799	26807

SATA LM 2000 B HVLP | discontinuation in 2017

Nozzle	1,4	1,7	1,9	2,1
Art. No.	30106	30643	30742	31047

SATA LM 2000 K RP | discontinuation in 2017

Nozzle	0,8	1,0	1,3	1,6	1,8	2,0	2,5	3,0	4,0
Art. No.	26690	26716	26724	26732	26740	26757	26765	26781	
									26799

SATA LM 2000 H RP | discontinuation in 2017

Nozzle	1,6	1,8	2,0
Art. No.	26732	26740	26757

All prices are recommended list prices. Errors, technical modifications and printing errors reserved.

SATA adam 2, SATA adam 2 mini, SATA adam 2 U

SATA adam 2, SATA adam 2 U

Technical Data







Maximum operating pressure: 10.0 bar

Max. operating temperature: 60 °C







Display accuracy: +/- 0.05 bar





Available versions

160846	SATA adam 2 >bar< for SATA spray guns except for SATAminijet and SATAjet 5000 B	
211540	SATA adam 2 >bar< for SATAjet 5000 B	
160879	SATA adam 2 mini >bar< for SATAminijet 4400, SATAminijet 3000 B and SATAminijet 1000 K/H	
195214	SATA adam 2 U (air micrometer with adam 2 display bar)	

Accessories

160689	SATA adam 2 display "bar"	
160739	Battery kit for SATA adam 2	
160788	SATA adam 2 dock for SATA spray guns except for SATAminijet and SATAjet 5000 B	
160796	SATA adam 2 dock (packing unit 2 pieces) for SATA spray guns except for SATAminijet and SATAjet 5000 B	
211565	SATA adam 2 dock for SATAjet 5000 B	
211573	SATA adam 2 dock (packing unit 2 pieces) for SATAjet 5000 B	
160861	SATA adam 2 mini dock for SATAminijet 3000 B, SATAminijet 4400 B and SATAminijet 1000 K	
195230	SATA adam 2 U dock (air micrometer 1/4" male thread and G 1/4" female thread with SATA dock)	

Spare Parts






162164	Locking clip (packing unit 5 pieces) for SATA adam 2	
162172	O-ring (packing unit 2 pieces) for SATA adam 2	
162081	SATA dock protect (packing unit 5 pieces) for SATA adam 2	
195925	SATA dock with 1/8" (male thread)	
203117	Reducing piece 1/4" (male thread) and G 1/8" (female thread)	

All prices are recommended list prices. Errors, technical modifications and printing errors reserved.




Digital/Analogue pressure display with SATA

For more information on SATA pressure measuring devices, please contact your SATA dealer or visit www.sata.com



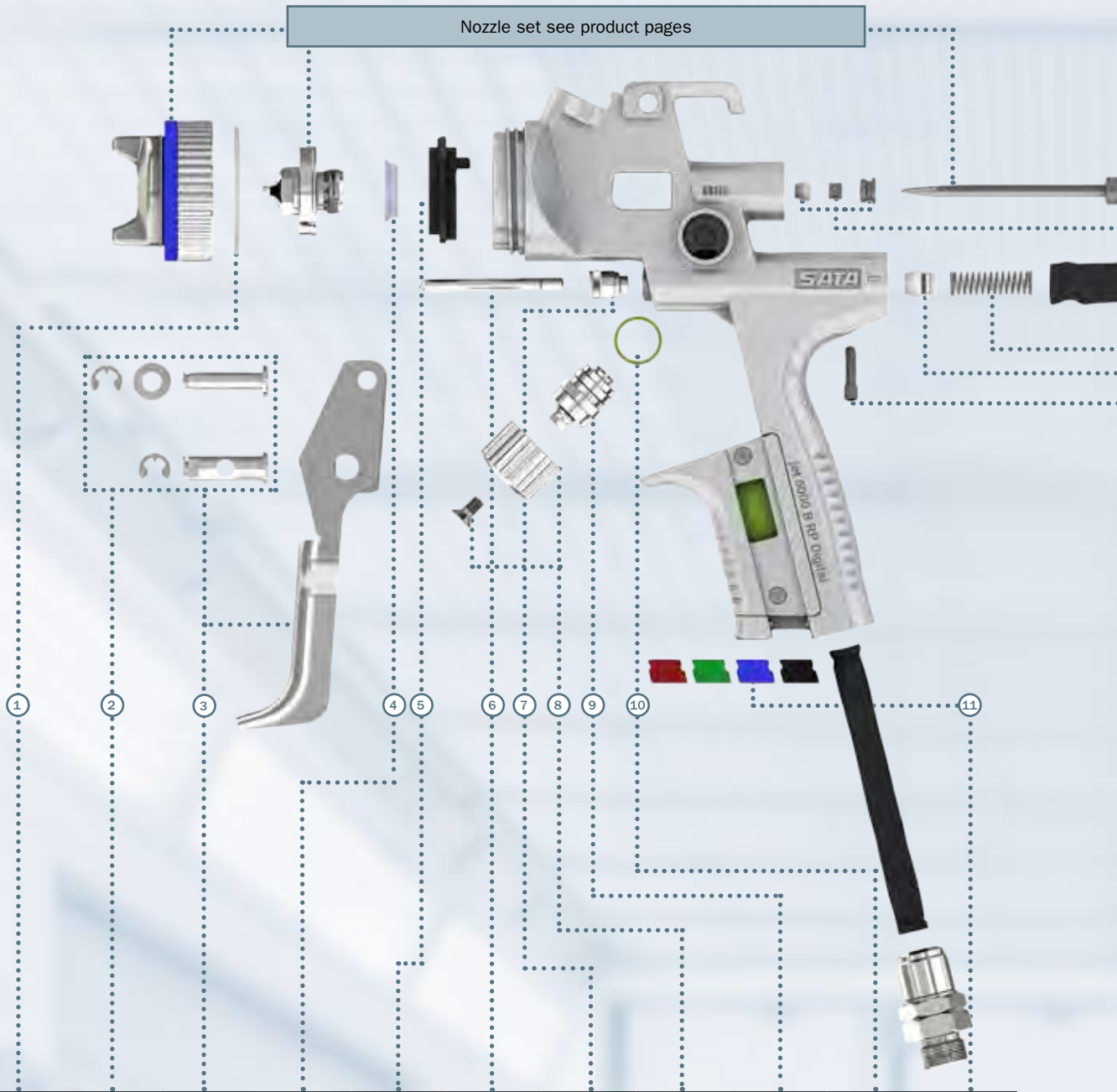
	SATAjet 5000 B	SATAjet 4000 B	SATAjet 3000 B	SATAjet 1000 B	SATAjet 100 B	SATAjet B, SATAjet GR	SATAminijet 4400 B, SATAminijet 3000 B, SATAminijet 4	SATA dry jet	Competitor spray guns	Retrofitting micrometer with pressure gauge #2771	Retrofitting atomisation air control gauge #4002	Filters and systems with G 1/8" female thread
 211540 SATA adam 2	X	-	-	-	-	-	-	-	-	-	-	-
 160846 SATA adam 2	-	X	X	X	X	X	-	-	-	-	-	-
 160879 SATA adam 2 mini	-	-	-	-	-	-	X	-	-	-	-	-
 195214 SATA adam 2 U	X	X	X	X	X	X	X	X	X	-	-	-
 195925 SATA dock with 1/8" male thread	-	-	-	-	-	-	-	-	-	X	X	X

Pressure manometer and micrometer

2771	SATA air micrometer with gauge, 1/4" (male thread and G 1/4" (female thread)	
4002	Spray pressure control unit	
9860	SATA air micrometer 0-845, 1/4" (male thread) and G 1/4" (female thread)	

All prices are recommended list prices. Errors, technical modifications and printing errors reserved.

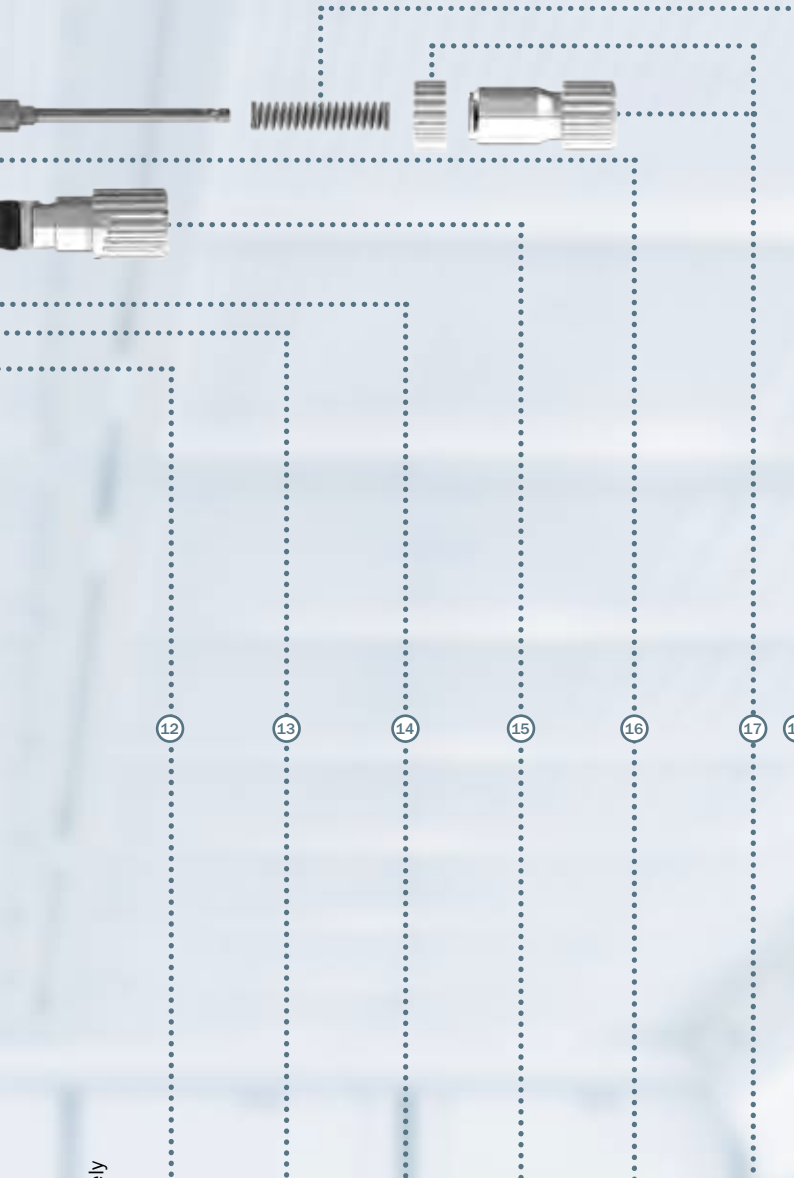
Spare Parts for SATA Spray Guns with Gravity Flow Cup I



	1	2	3	4	5	6	7	8	9	10	11	
Description	Seal ring	Trigger sleeve kit	Trigger kit	Seal element fluid tip	Air distribution ring	Air piston rod	Seal retainer	Control knob	Spindle with seal	Spindle seal	CCS clips	
Gun type	3000 B	143834	133926	133850	-	97824	133942	134031	89771	133934	6395	
	4000 B	172429	166009	165977	140582	165951		86843	166033		165944	165928
	5000 B	211508	211458	211433		211425		211482	213025		211409	
	100 B	-	133926	130492	143230	91959	140574	89771	6395			
	1000 B											
	minijet 3000 B	-	-	126276	-	127399	44834	126292	124164*	125351	-	
minijet 4400 B	200907	199463	198473	199455	197467	198408	199414	200162	198549	199471	197418	

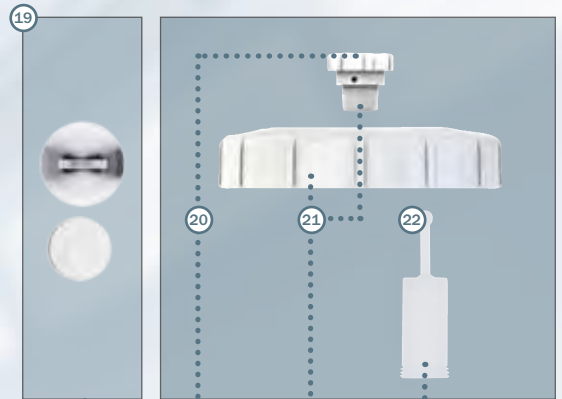
* screw #44735 to be ordered separately

Spare Parts for SATA Spray Guns with Gravity Flow Cup II



Air connection piece					
Spray gun	Standard	Standard swivel joint	DIGITAL	DIGITAL swivel joint with seal retainer and sleeve	Seal retainer with sleeve*
3000 B			133975	203414	133876
4000 B	134098	19745	166116	203422	165985
5000 B			211490	211516	211441
100 B					
1000 B					
minijet	133983	16162	-	-	-
3000 B					
minijet					
4400 B					

* only for DIGITAL with swivel joint



*** counter nut #44644 to be ordered separately

** in a set

12	13	14	15	16	17	18	19	20	21	22	Description
Locking screw	Air piston head	Pressure spring air piston	Air micrometer (air flow control knob)	Paint needle packing	Material flow control	Pressure spring paint needle	Battery kit	Anti-drip device	Screw-on lid	Strainer 300µm	
133967			134015		134023		133884				3000 B
			166017		166025		165993			3988 (10x)	4000 B
211391	133991	133959**	211466	15438	211474	133959**	213769	1826	49395	76018 (100x)	5000 B
133967			139964		139188					76026 (500x)	100 B
											1000 B
64972	44826	201467**	125187	79905	125146***	201467**	-	95489	95448	-	minijet 3000 B
199430	199448		198523	199414	199406			197558	199075	see above	minijet 4400 B









Gun type

Accessories for Spray Guns Part I

Air connection			
6981	SATA quick coupling nipple G 1/4" (female thread) (packing unit 5 pieces)		
99895	Flexible quick coupling nipple G 1/4" (female thread)		
Storage			
1750	Spray gun holder, complete		
9886	SATA gravity gun holder for gravity cup spray guns		
40188	SATA spray gun display holder		
192195	SATA universal spray gun and hose holder for all SATA spray guns		
69328	SATA spray gun holder for SATAminijet 4400 B, minijet 3000 B, jet 20 B		
134916	Triple spray gun holder for wall mounting		
134882	Spray gun holder with strainer holder		
134932	Insert for spray gun holder with strainer holder for SATAminijet		










All prices are recommended list prices. Errors, technical modifications and printing errors reserved.

Accessories for Spray Guns Part II

Quality Control			
161596	SATA cert, with archive, spray pattern block, single sheet holder and distance marker		
161646	spray pattern blocks with 25 sheets (packing unit 2 pieces) for SATA cert		
161661	Distance marker for SATA cert		
Other Accessories			
3988	Paint strainer, 300 µm (packing unit 10 pieces) for SATA spray guns except for SATAminijet		
76018	Paint strainer, 300 µm (packing unit 100 pieces)		
76026	Paint strainer, 300 µm (packing unit 500 pieces)		
9845	SATA viscosity cup 4.0 mm, flow time tolerance < 1 sec.		
9852	SATA viscosity cup 4.0 mm, flow time tolerance < 1.5 sec.		
59675	SATA dosenboy, to cut out can lids from cans up to 36 cm height		
59659	Wheel for SATA DOSENBOY		
59667	Blade for SATA dosenboy		
16477	SATA compressed air-driven hand agitator		
165506	Air cap protector, red (packing unit 5 pieces) for SATAjet 3000 B		
165514	Air cap protector, red (packing unit 5 pieces) for SATAjet 5000 B, jet 4000 B, jet 100 B and jet 1000 B		
165522	Air cap protector, red (packing unit 5 pieces) for SATAminijet 3000 B / SATAminijet 1000 B		
203331	Air cap protector, red (packing unit 5 pieces) for SATAminijet 4400 B		
133322	Painter's gloves, pack unit 100 pieces		

All prices are recommended list prices. Errors, technical modifications and printing errors reserved.

Spray gun Cleaning and Maintenance Part I

Cleaning and Maintenance		
60095	SATAclean wet holding tray for 3 spray guns	
Cleaning accessories		
162628	SATA care set spray gun care bag containing 1 large cleaning brush, 5 medium-sized cleaning brushes, 5 double-sided cleaning brushes, 12 nozzle cleaning needles, 1 tube high performance grease, silicone- and acid-free, 100 g	
48173	SATA high performance grease, silicone- and acid-free, 100 ml for spray guns	
9894	SATA nozzle cleaning needles (pack of 36 pieces, packed to 12 pieces each)	
62174	SATA nozzle cleaning needles (pack of 12 pieces)	
64030	SATA cleaning kit with 2 cleaning brushes, medium and 12 nozzle cleaning needles	
6007	Cleaning brush (packing unit 10 pieces) for spray guns	
9209	Cleaning brush, double-sided (pack of 10 pieces) for spray guns	
158840	Cleaning brush, large (packing unit 5 pieces) for spray guns	
29280	Cleaning brush (packing unit 10 pieces) for suction pipe of suction cup spray guns	

Please also observe the SATA cleaning devices on page 112.

Disassembly of nozzle set



1 First remove paint needle.



2 Followed by the cap.



3 And finally, unscrew fluid tip with the ring spanner integrated in the universal spanner.

Cleaning and drying



1 Clean the material passage



2 Clean the spray gun body



3 Dry with blow gun

When cleaning the spray gun manually, please ensure not to use brushes made of metal wires which could possibly damage the spray gun. Furthermore, please make sure that no cleaning fluid ends up in the air passages of the spray gun body.

All prices are recommended list prices. Errors, technical modifications and printing errors reserved.